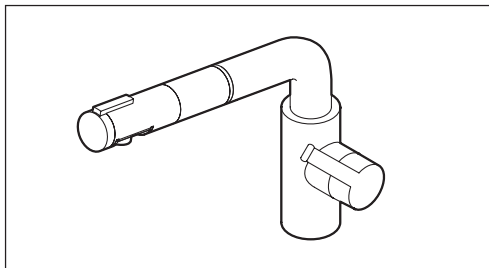


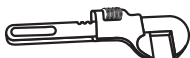
## INSTALLATION INSTRUCTIONS

**K8752J-BW**  
**SINGLE HANDLE**  
**Pull-Out Kitchen Faucet****Tools**

For safety and easy faucet replacement, San-Ei recommends the use of the following helpful tools:



SAFETY GLASSES



PIPE WRENCH



PLIERS



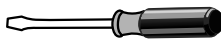
CHANNEL LOCKS



ADJUSTABLE WRENCH



BASIN WRENCH



PHILLIPS SCREWDRIVER



FLASHLIGHT

**About This Manual****Keep Instructions for Future Reference**

Thank you for purchasing San-Ei's quality faucet.

With simple care and maintenance, it will provide you with many years of reliable performance.

Please read instructions before installation.

**TIPS FOR REMOVAL OF OLD FAUCET**

**CAUTION:** Always turn water OFF before removing existing faucet or disassembling the faucet.

Open the faucet handles to relieve water pressure and ensure that complete water shut-off has been accomplished.

(Complies with ASME A112.18.1)

# PARTS LIST

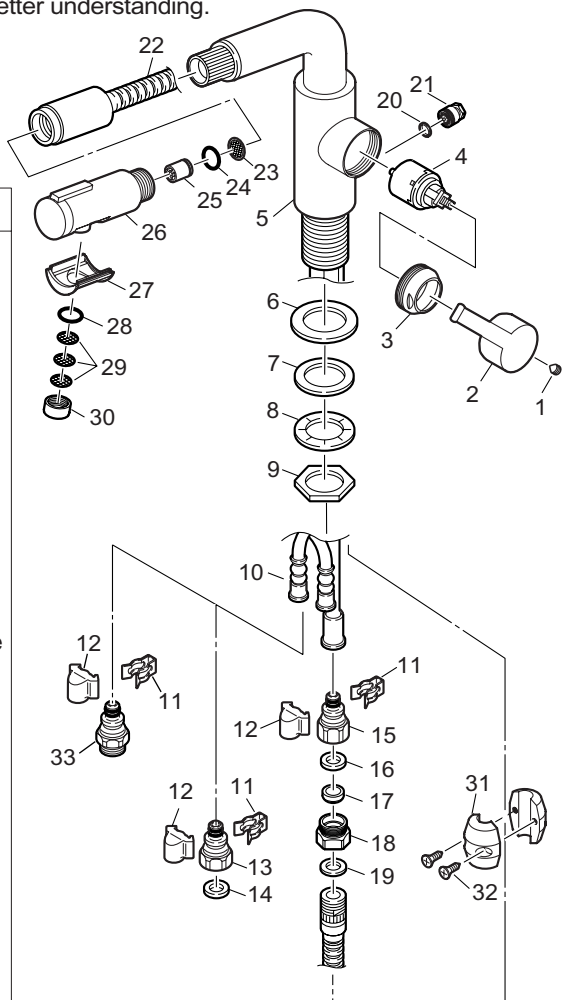
The structure shown is an illustration.

Please use this structure for better understanding.

## K8752J-BW

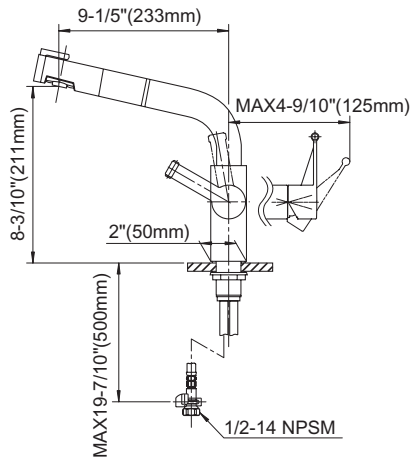
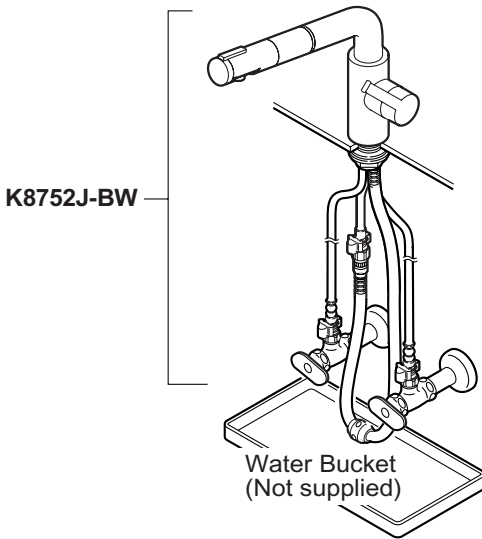
### General Description

1. Screw
2. Lever
3. Cartridge Holder
4. Ceramic Cartridge
5. Unit Body
6. Seat Packing
7. Rubber Packing
8. Metal Washer
9. Lock Nut
10. Flex Tube
11. Fastener Clip
12. Lock Cover
13. Fastener Adapter
14. Rubber Packing
15. Fastener Adapter For Hose
16. Rubber Packing
17. Flow Restrictor
18. Adapter
19. Rubber Packing
20. Rubber Packing
21. Vacuum Breaker
22. Flex Hose
23. Net Filter
24. O-Ring
25. Check Valve
26. Shower Head
27. Shower Body
28. O-Ring
29. Net Filter
30. Aerator Body
31. Weight
32. Screw
33. Fastener Adapter (male)

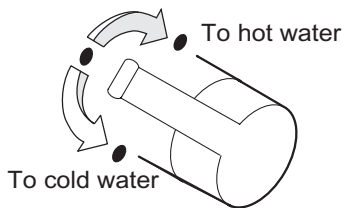
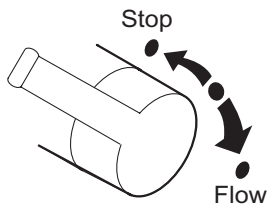


# OPERATION

## Pull-Out Kitchen Faucet K8752J-BW



**NOTE** : Maximum deck thickness for installation is 1-1/5"(30mm).  
Hole size for installation is between 1-2/5"(36mm) to 1-1/2"(38mm).



Either ordinary flow or shower flow can be used.

Shower Flow



Ordinary Flow



### **PRIOR TO INSTALLATION**

Prior to installing new faucet, install the items listed below:

- \* Kitchen Sink
- \* Drain Line

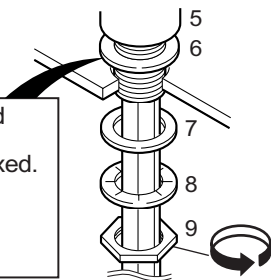
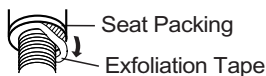
#### **Important !**

- \* All plumbing is to be installed in accordance with applicable codes and regulations.
- \* Flush all water lines prior to making connection.

# INSTALL FAUCET

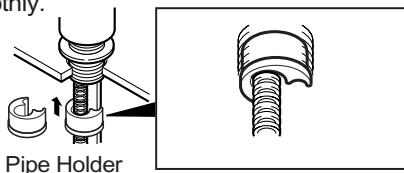
1

**(Caution !)** Remove an exfoliation tape attached in the back of the packing. Then, install the faucet body to be fixed.



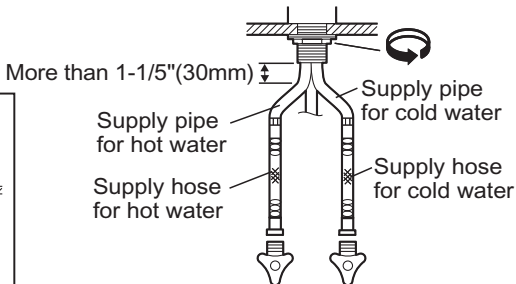
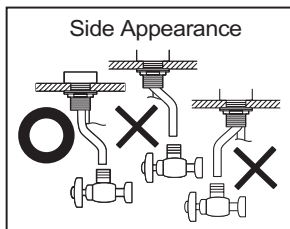
**(Caution !)** In case the pipe holder is come off

In case the pipe holder is come off at installation stage, please attach the hose holder tightly to the faucet. Otherwise, there are some possibilities not to pull out the spout hose smoothly.



**(Caution !)** Caution for excessive bending of both supply pipes.

Both supply pipes should keep the certain distance from the faucet body straight and the distance should keep more than 1-1/5"(30mm). Otherwise, there are some possibilities not to pull out the shower head smoothly.



**(Caution !)** Please pay attention not to bend the hoses excessively.

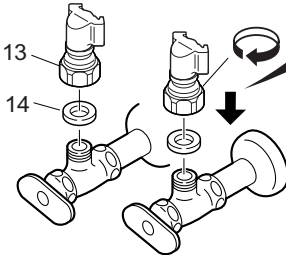
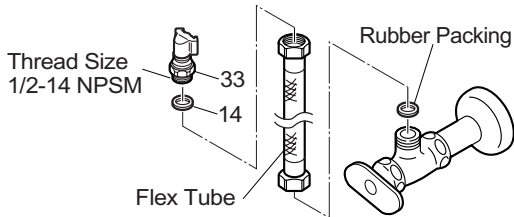
## 1. Install faucet

Install the faucet body on the kitchen sink. The front side of the spout should face you. Then, make tightening the lock nut(9). (counterclockwise) Please don't forget to put a seat packing(6), rubber packing(7), and metal washer(8) between unit body(5) and lock nut(9).

2

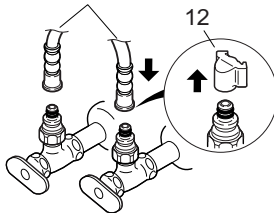
To extend both cold water and hot water supply hoses.

In case the supply hoses from the faucet cannot reach to the stop valves for connection, please use the fastener adaptor (male thread type) to extend the supply hose from the stop valves. (Flex supply tube not supplied.)

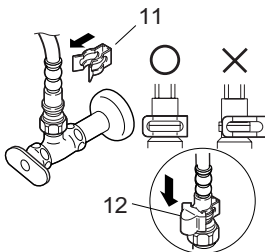


**NOTE :** Thread Size 1/2-14 NPSM

3



4



## 2. Install "quick fastener" adapter

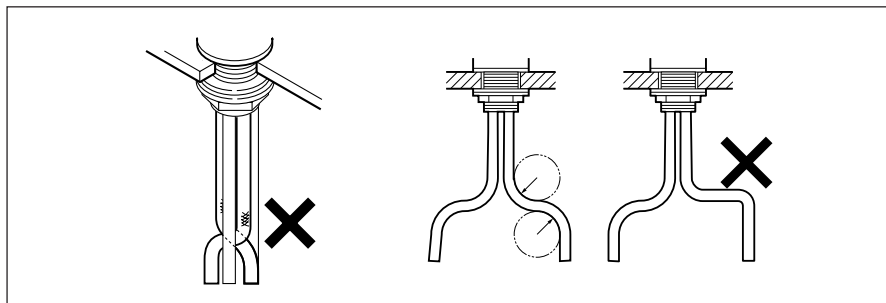
Please install the adapters(13) onto the each stop valves(not supplied).  
Please don't forget packing(14) between angle stop valve and adapter(13).

## 3. Remove lock cover

Remove the lock cover(12) from the adapter(13).

## 4. Connection

Connect flexible tube(10) from the faucet with adapter(13). Then, please clip them with fastener clip(11) until there make a "click sound". After making sure the connection is done in perfect, please attach the lock cover(12) onto a fastener clip(11).

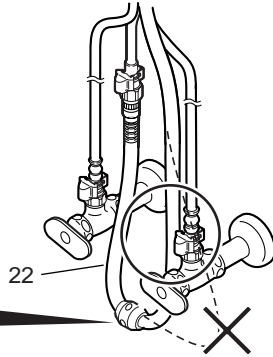
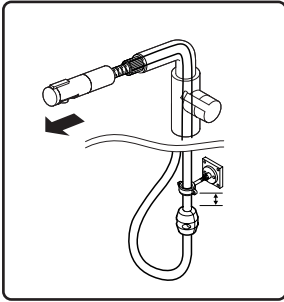


## CAUTION!

Please pay attention to the following points when installing the faucet.

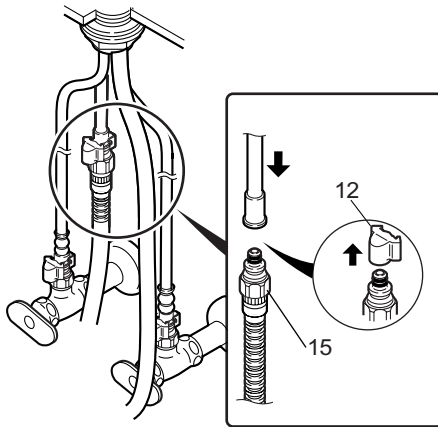
- \* Install the supply tube to the cold and the hot supply side properly. Don't tangle the hose when installing because the connection will become loose when the strong water pressure is added.
- \* Keep enough distance between the hoses. Without the distance, the hose will rub each other and it will cause damage to the hose.
- \* When bending the hose, keep the radius more than 50mm. Excessive bending will cause damage to the hose.
- \* When installing the faucet, do not excessively bend the ending part of the hose.
- \* "C" mark on the supply tube stands for cold water supply use.
- \* "H" mark on the supply tube stands for hot water supply use.

Weight should be placed in the portion where the hose is the most bending.



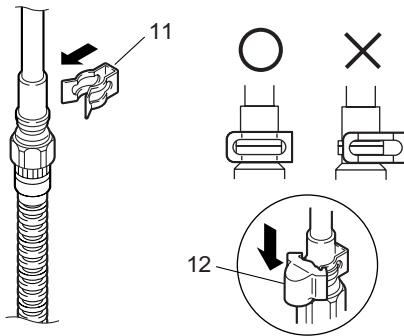
## 5. Position of shower hose

To prevent the shower hose(22) from tangling stop valves, the shower hose(22) should be placed below or behind the stop valves.



### (Caution!)

- \* Make sure that there should no scratch onto O-Ring of Hose Fastener adapter or no dust.
- \* Lock cover is a "must" item for "Quick Fastener installation" & don't miss the part.



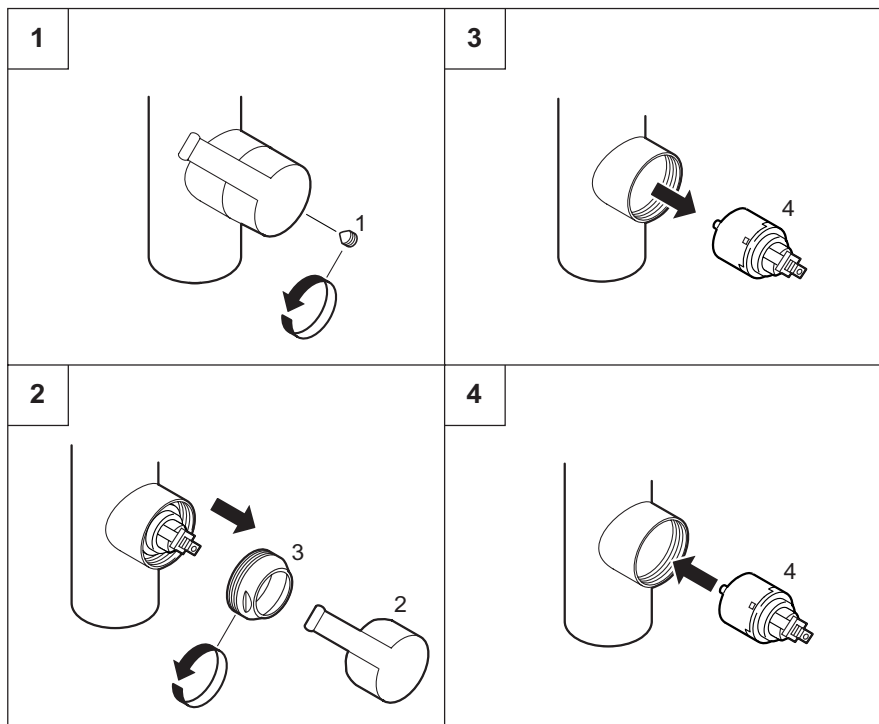
## 6. Connect the shower hose to faucet body

Remove the Lock cover(12). Then, connect the shower hose(22) to the shower pipe from the faucet body(5). Clip with fastener clip(11) until there make a "click sound".

## 7. Work testing

Please go to "Flushing instruction" section before starting to use faucet.

## CARTRIDGE REPLACEMENT



### Caution!

Always turn water OFF before removing the cartridge. Open the handle to relieve water pressure and ensure that water shut-off has been accomplished.

1. Loosen the screw(1) with screw driver.
2. After removing the lever(2), loosen the cartridge holder(3).
3. Remove an old ceramic cartridge(4) with pliers and replace a new ceramic cartridge(4).
4. To reassemble, reverse the previous steps.

## **FLUSHING INSTRUCTIONS**

**IMPORTANT!** : Pipe chips, sand, stones and other solid found in new and renovated plumbing can damage the cealing of the cartridge and cause leaks to avoid damage,

**DO NOT TURN ON SUPPLY VALVES** until instructed below.

1. After installing and connecting your new faucet, turn on in the full cold position (handle pointing to the right) and turn on the cold supply for 15 seconds.
2. Without closing the handle, turn to the full hot position (handle pointing to the left) and turn on the hot supply for 15 seconds.
3. Close the handle, then using a towel unscrew the aerator from the end of the spout and clean the aerator.
4. Using a towel replace the aerator and check the system for leaks.

## **TROUBLESHOOTING**

### **TO CORRECT REVERSED HOT AND COLD POSITIONS :**

1. Shut off both stop valves. Then, open faucet handles to relieve water pressure that complete water shut-off has been accomplished.
2. Remove a lock cover and fastener clip in order. Then, remove the flex supply tubes.  
Re-connect each flex supply tubes into different supply stop valves.  
(An excessive bending will cause leaking and damage to the tubes.)  
Then, attach the fastener clip and lock cover after connecting the supply tubes.
3. Re-installing and connecting, turn on both cold and hot supply.
4. Turn on in the full position, make sure that the each positions keeps correct way & make sure any water leakage.

## **MAINTENANCE**

### **Care and Cleaning of Chrome and Special Finishes**

Do not use abrasive or chemical cleaners (including chlorine bleach) to clean faucets as they may dull the luster and attack the chrome or special decorative finishes.

Use **ONLY** soap and water, then wipe dry with clean cloth or towel.

While cleaning the bathroom tile, the faucet should be protected from any splattering of cleaner. Acids and cleaning fluids will discolor or remove chrome plating.