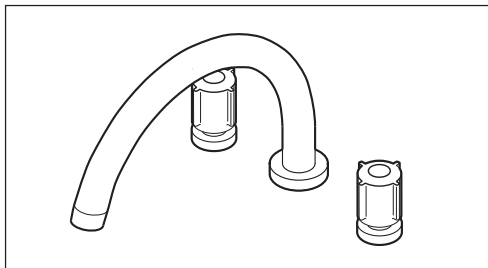


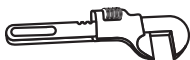
INSTALLATION INSTRUCTIONS

**K9150D-L-BW**
TWO HANDLE
Roman Tub Faucet**Tools**

For safety and easy faucet replacement, San-Ei recommends the use of the following helpful tools:



SAFETY GLASSES



PIPE WRENCH



PLIERS



CHANNEL LOCKS



ADJUSTABLE WRENCH



BASIN WRENCH



PHILLIPS SCREWDRIVER



FLASHLIGHT

About This Manual**Keep Instructions for Future Reference**

Thank you for purchasing San-Ei's quality faucet.

With simple care and maintenance, it will provide you with many years of reliable performance.

Please read instructions before installation.

TIPS FOR REMOVAL OF OLD FAUCET

CAUTION: Always turn water OFF before removing existing faucet or disassembling the faucet.

Open the faucet handles to relieve water pressure and ensure that complete water shut-off has been accomplished.

(Complies with ASME A112.18.1)

PARTS LIST

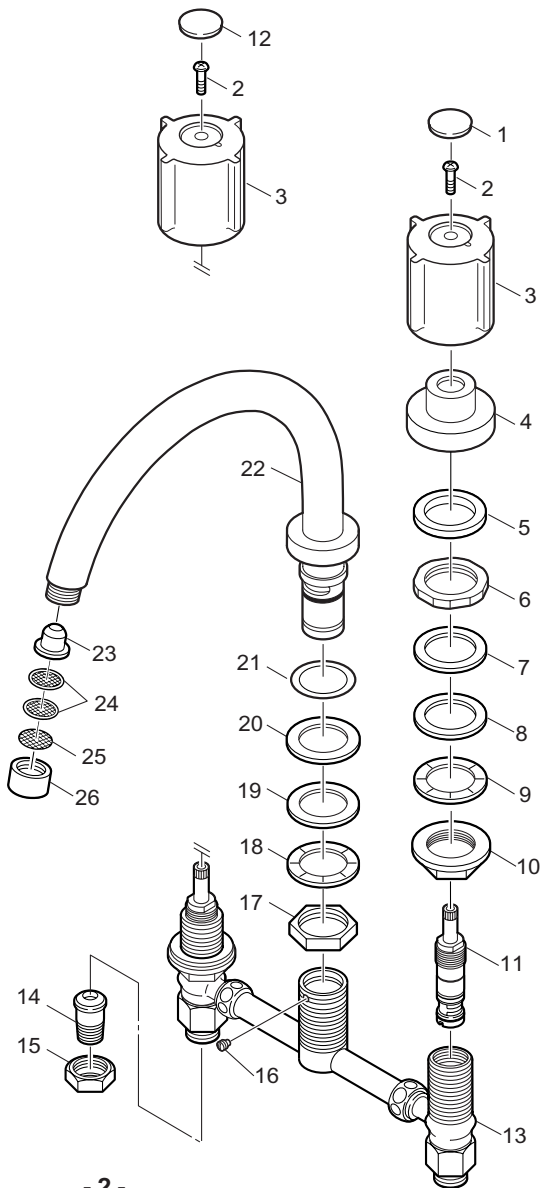
The structure shown is an illustration.

Please use this structure for better understanding.

K9150D-L-BW

General Description

1. Cap (Blue)
2. Screw
3. Handle
4. Handle Escutcheon
5. Seat Packing
6. Top Mounting Nut
7. Seat Packing
8. Rubber Packing
9. Metal Washer
10. Lock Nut
11. Ceramic Cartridge
12. Cap (Red)
13. Body
14. Socket
15. Union Nut
16. Screw
17. Lock Nut
18. Metal Washer
19. Rubber Packing
20. Seat packing
21. Washer
22. Spout Body
23. Rubber Packing
24. Net Filter A
25. Net Filter B
26. Aerator Body

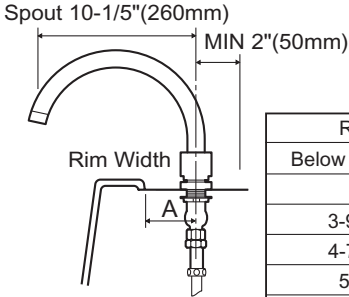


OPERATION

Roman Tub Faucet K9150D-L-BW

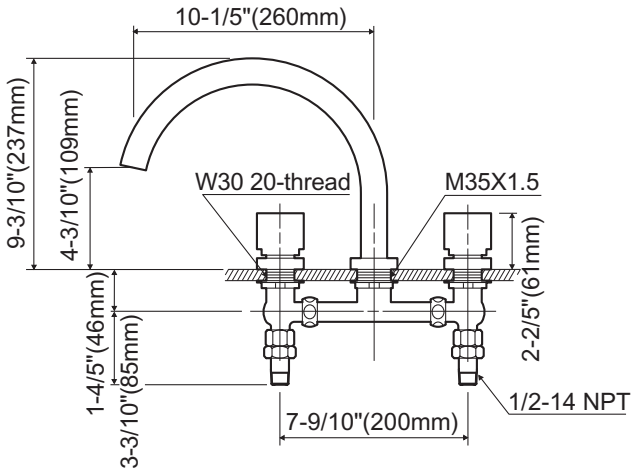
Installation Dimension

Please kindly follow the installation dimension.
Improper installation may cause that water is not coming out to the tub.

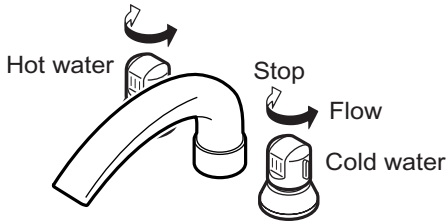


Spout 10-1/5"(260mm)

Rim Width	A
Below 2-4/5"(70mm)	Between 2"(50mm) to 6-1/10"(155mm)
3-1/2"(90mm)	Between 2"(50mm) to 5-3/10"(135mm)
3-9/10"(100mm)	Between 2"(50mm) to 4-9/10"(125mm)
4-7/10"(120mm)	Between 2"(50mm) to 4-1/10"(105mm)
5-1/2"(140mm)	Between 2"(50mm) to 3-3/10"(85mm)
6-3/10"(160mm)	Between 2"(50mm) to 2-3/5"(65mm)
6-9/10"(175mm)	2"(50mm)
Over 7-3/10"(185mm)	Can not be used.



NOTE : Maximum deck thickness for installation is between 3/10"(8mm) to 3/5"(15mm).



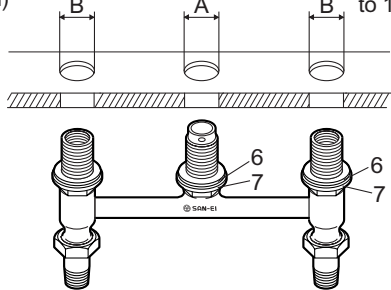
Important !

- * All plumbing is to be installed in accordance with applicable codes and regulations.
- * Flush all water lines prior to making connection.

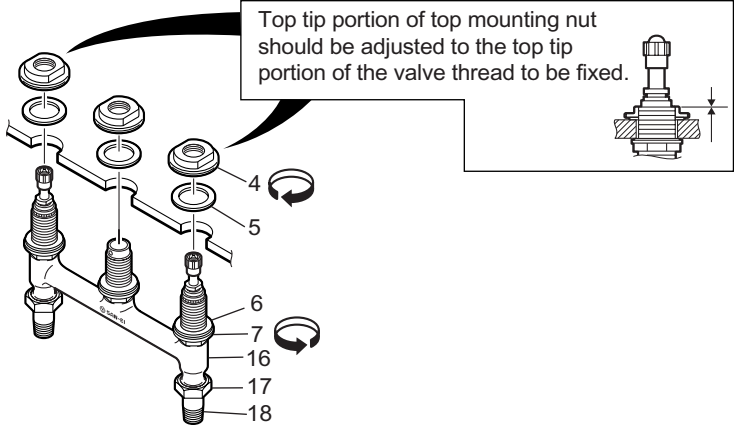
INSTALL FAUCET

1

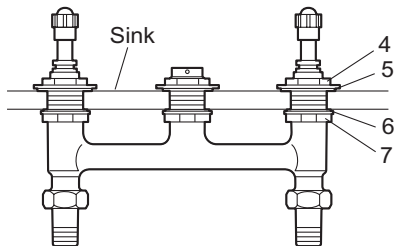
Between 1-1/10"(27mm) to 1-1/5"(29mm) Between 1-1/10"(27mm) to 1-1/5"(29mm) Between 1-1/10"(27mm) to 1-1/5"(29mm)



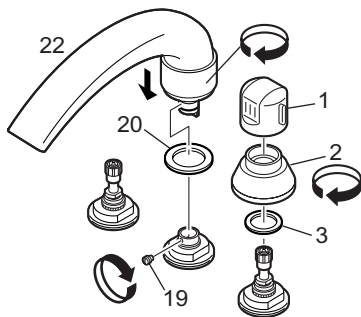
2



3



4



1. To install valve body

Drill a (A) diameter center hole in the mounting surface for the spout shank and two (B) diameter holes on either side of the center hole for each valve body.

2. Install the valve body

Insert the valve body(16) to the deck and turn a seat packing(5) and top mounting nut(4) tightly. Place all the parts in order refer to the drawing.

3. Adjustment

By adjusting the lock nut(7), keep the faucet body(16) in parallel.

4. Install spout and handle

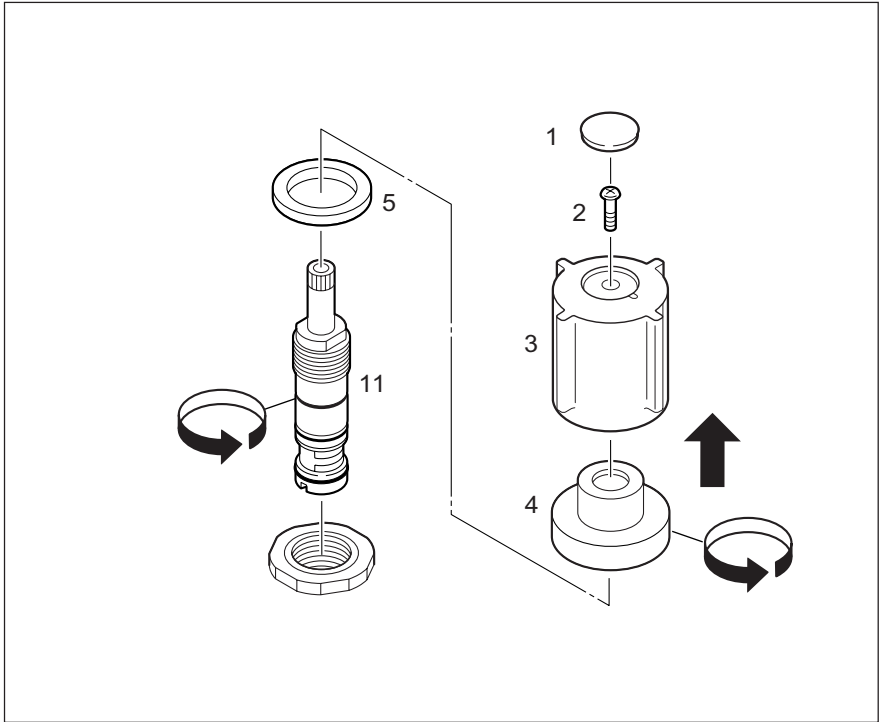
Install spout(22) and screw the precision screw(19) tightly.

Please attach the handle(1). (Not necessary to use the screw to be fixed handle, due to fit-in handle.)

5. Supply Connection

Install the water supply line to NPT 1/2" male thread of the valve body. Installation is completed.

CARTRIDGE REPLACEMENT



Caution!

Always turn water OFF before removing the cartridge. Open the handle to relieve water pressure and ensure that water shut-off has been accomplished.

1. Remove the top cap(1) from the handle(3) and loosen the screw(2) with screw driver.
2. After removing the handle(3), loosen the handle escutcheon(4). (counter clockwise) Also remove the seat packing(5).
3. Remove an old ceramic cartridge(11) with pliers and replace a new cartridge(11).
4. To reassemble, reverse the previous steps.

FLUSHING INSTRUCTIONS

IMPORTANT! : Pipe chips, sand, stones and other solid found in new and renovated plumbing can damage the cealing of the cartridge and cause leaks to avoid damage,

DO NOT TURN ON SUPPLY VALVES until instructed below.

1. After installing and connecting your new faucet, turn on in the full cold position (handle pointing to the right) and turn on the cold supply for 15 seconds.
2. Without closing the handle, turn to the full hot position (handle pointing to the left) and turn on the hot supply for 15 seconds.
3. Close the handle, then using a towel unscrew the aerator from the end of the spout and clean the aerator.
4. Using a towel replace the aerator and check the system for leaks.

TROUBLESHOOTING

TO CORRECT REVERSED HOT AND COLD POSITIONS :

1. Shut off both stop valves. Then, open faucet handles to relieve water pressure that complete water shut-off has been accomplished.
2. Loosen nut and remove supply lines. Re-connect each supply lines into different supply stop valves.(Excessive bending will cause leaking and damage to the lines.) Then, tighten each of supply lines.
3. Re-installing and connecting, turn on both cold and hot supply.
4. Turn on in the full position, make sure that the each positions keeps correct way & make sure any water leakage.

MAINTENANCE

Care and Cleaning of Chrome and Special Finishes

Do not use abrasive or chemical cleaners (including chlorine bleach) to clean faucets as they may dull the luster and attack the chrome or special decorative finishes.

Use **ONLY** soap and water, then wipe dry with clean cloth or towel.

While cleaning the bathroom tile, the faucet should be protected from any splattering of cleaner. Acids and cleaning fluids will discolor or remove chrome plating.