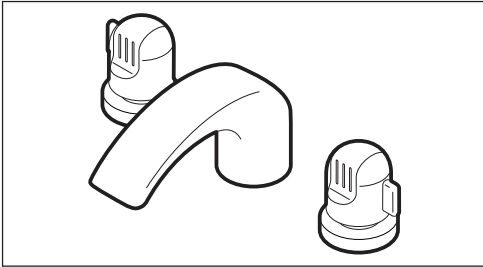




INSTALLATION INSTRUCTIONS



K5560PC-BW

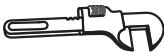
TWO HANDLE Lavatory Faucet

Tools

For safety and easy faucet replacement, San-Ei recommends the use of the following helpful tools:



SAFETY GLASSES



PIPE WRENCH



PLIERS



CHANNEL LOCKS



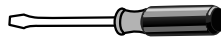
FLEXIBLE SUPPLY TUBES



ADJUSTABLE WRENCH



BASIN WRENCH



PHILLIPS SCREWDRIVER



FLASHLIGHT

About This Manual

Keep Instructions for Future Reference

Thank you for purchasing San-Ei's quality faucet.

With simple care and maintenance, it will provide you with many years of reliable performance.

Please read instructions before installation.

TIPS FOR REMOVAL OF OLD FAUCET

CAUTION: Always turn water OFF before removing existing faucet or disassembling the faucet.

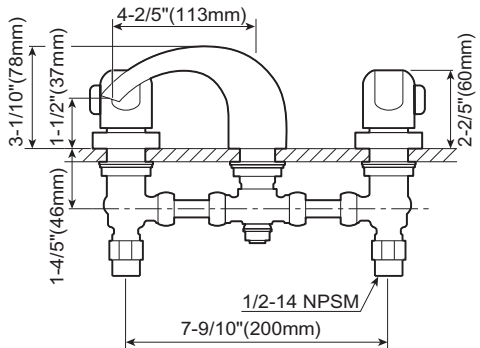
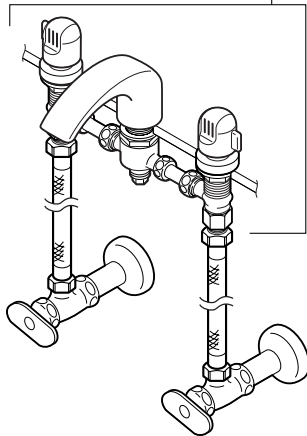
Open the faucet handles to relieve water pressure and ensure that complete water shut-off has been accomplished.

(Complies with ASME A112.18.1)

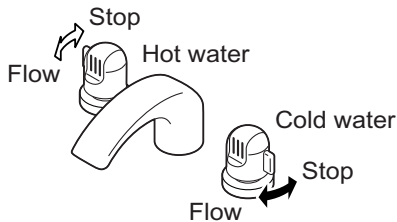
OPERATION

Lavatory Faucet K5560PC-BW

K5560PC-BW



NOTE : Maximum deck thickness for installation is 1-1/5"(30mm).
Hole size for installation is
spout body hole between 1-1/10"(27mm) to 1-1/5"(29mm),
handle body hole between 1-1/5"(31mm) to 1-3/10"(33mm)
Waste assemble are included with some models.



PRIOR TO INSTALLATION

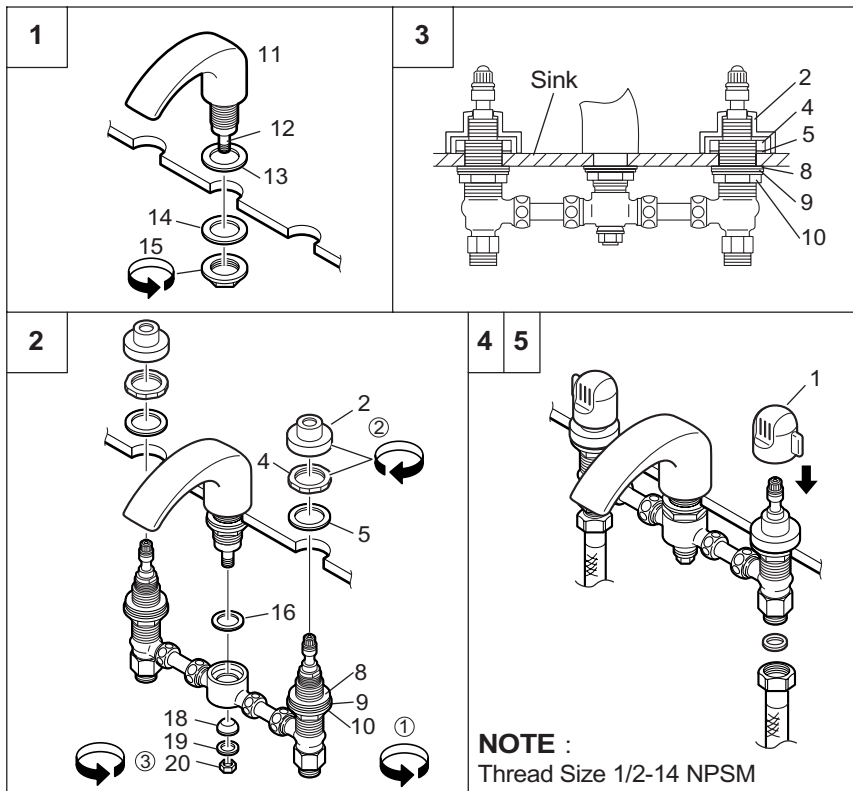
Prior to installing new faucet, install the items listed below:

- * Lavatory sink
- * Drain Line

Important !

- * All plumbing is to be installed in accordance with applicable codes and regulations.
- * Flush all water lines prior to making connection.

INSTALL FAUCET



1. Install faucet spout

Be sure that mounting space is clean and dry.

The front side of the spout(11) should face you. Then,make tightening the lock nut(15).(counterclockwise) Please don't forget to put a seat packing(13), rubber packing(14), between faucet spout (11)and lock nut(15).

2. Install the valve body

After connecting packing(8), under mounting washer(9), and lock nut(10) onto the valve body, connect the faucet spout(12) by hex. nut(20). Please don't forget to put through a triangle packing(18) and washer(19). (Don't connect tightly at this stage.) Handle escutcheon(2), top mounting nut (4), and seat packing(5) should be installed properly.

3. Adjustment

Make final tightening of mounting nut(4) by adjusting the lock nut(10) installed on the valve body.

4. Handle installation

Attach each handle(1) to the valve spindies(3). (Blue marked handle for cold(should be right side. Red marked handle for hot(should be left side.)

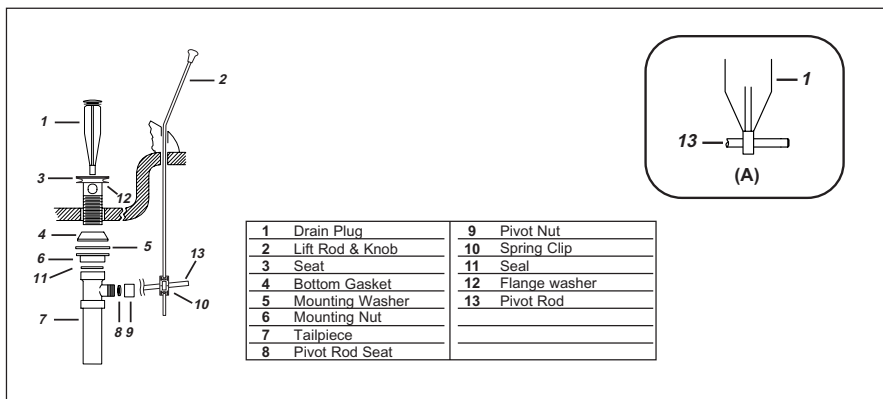
5. Pipe connection

From the below lavatory sink, make connections to the flex supply tube. (Not supplied.)

6. Work testing

Please go to "Flushing Instruction" section before starting to use faucet. If you are installing a SAN-EI pop-up waste assembly, go to 7(pop-up waste assembly instruction).

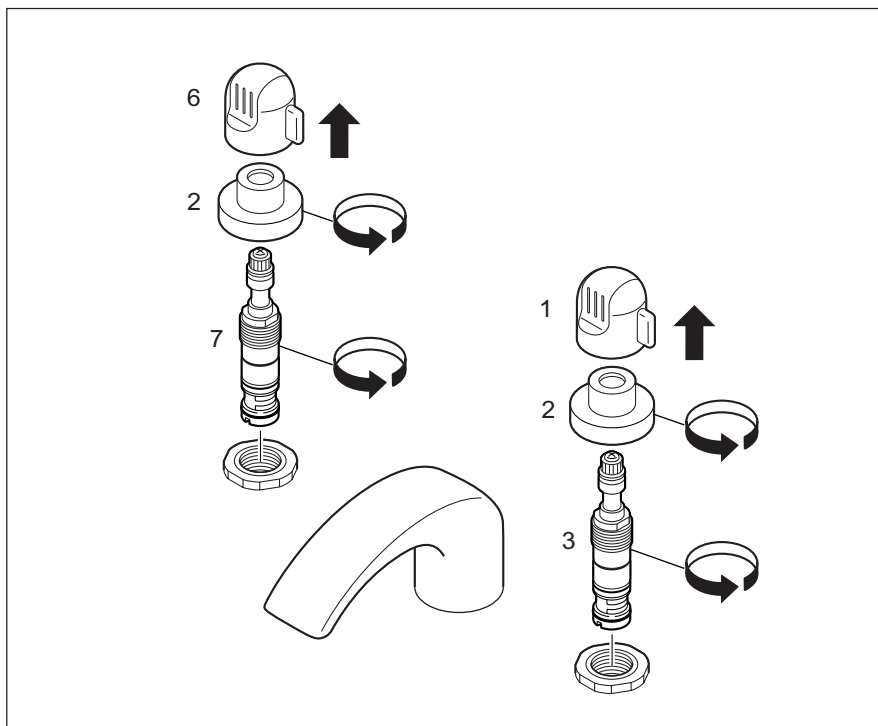
7. Pop-up waste assembly instruction



1. Place Flange washer (12) under seat (3).
2. Drop seat into drain opening in sink.
3. From underneath the sink, slide the bottom gasket (4), mounting washer (5) and mounting nut (6) onto drain seat and hand tighten.
4. Fit seal (11) inside the drain tailpiece(7).
5. Install the tailpiece and hand tighten. Align the entire assembly so that the pivot rod opening is facing the rear of the sink, hand tighten the mounting nut (6) until snug.
6. Drop in drain plug (1) and install pivot rod in one of the following ways:

(A) **VANDALPROOF:** Prevents unauthorized removal of drain plug. Place pivot rod seat (8) into opening of tailpiece as shown. Place the pivot rod(13) into the opening and position the pivot rod through the drain plug hole as shown in illustration (A) above. Slide the pivot nut (9) onto the pivot rod and thread it snugly onto the drain body, be careful not to overtighten.

CARTRIDGE REPLACEMENT



Caution!:

Always turn water OFF before removing the cartridge. Open the handle to relieve water pressure and ensure that water shut-off has been accomplished.

1. Pull out the faucet handle insert(1)(6).
2. Unscrew the handle escutcheon(2) to counterclockwise.
3. Remove an old ceramic cartridge(3)(7) with pliers and replace a new ceramic cartridge(3)(7).
4. To reassemble, reverse the previous steps.

FLUSHING INSTRUCTIONS

IMPORTANT! : Pipe chips, sand, stones and other solid found in new and renovated plumbing can damage the ceiling of the cartridge and cause leaks to avoid damage,

DO NOT TURN ON SUPPLY VALVES until instructed below.

1. After installing and connecting your new faucet, turn on in the full cold position (handle pointing to the right) and turn on the cold supply for 15 seconds.
2. Without closing the handle, turn to the full hot position (handle pointing to the left) and turn on the hot supply for 15 seconds.
3. Close the handle, then using a towel unscrew the aerator from the end of the spout and clean the aerator.
4. Using a towel replace the aerator and check the system for leaks.

TROUBLESHOOTING

TO CORRECT REVERSED HOT AND COLD POSITIONS :

1. Shut off both stop valves. Then, open faucet handles to relieve water pressure that complete water shut-off has been accomplished.
2. Loosen nut and remove flex supply tubes. Re-connect each flex supply tubes into different supply stop valves. (Excessive bending will cause leaking and damage to the pipes.) Then, tighten each of flex supply tubes.
3. Re-installing and connecting, turn on both cold and hot supply.
4. Turn on in the full position, make sure that the each positions keeps correct way & make sure any water leakage.

MAINTENANCE

Care and Cleaning of Chrome and Special Finishes

Do not use abrasive or chemical cleaners (including chlorine bleach) to clean faucets as they may dull the luster and attack the chrome or special decorative finishes.

Use **ONLY** soap and water, then wipe dry with clean cloth or towel.

While cleaning the bathroom tile, the faucet should be protected from any splattering of cleaner. Acids and cleaning fluids will discolor or remove chrome plating.