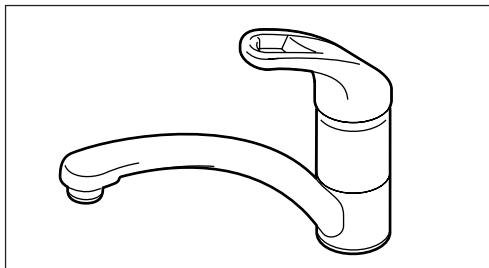


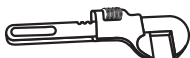
INSTALLATION INSTRUCTIONS

**K876J-BW**
SINGLE HANDLE
Kitchen Faucet**Tools**

For safety and easy faucet replacement, San-Ei recommends the use of the following helpful tools:



SAFETY GLASSES



PIPE WRENCH



PLIERS



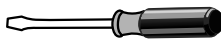
CHANNEL LOCKS



ADJUSTABLE WRENCH



BASIN WRENCH



PHILLIPS SCREWDRIVER



FLASHLIGHT

About This Manual**Keep Instructions for Future Reference**

Thank you for purchasing San-Ei's quality faucet.

With simple care and maintenance, it will provide you with many years of reliable performance.

Please read instructions before installation.

TIPS FOR REMOVAL OF OLD FAUCET

CAUTION: Always turn water OFF before removing existing faucet or disassembling the faucet.

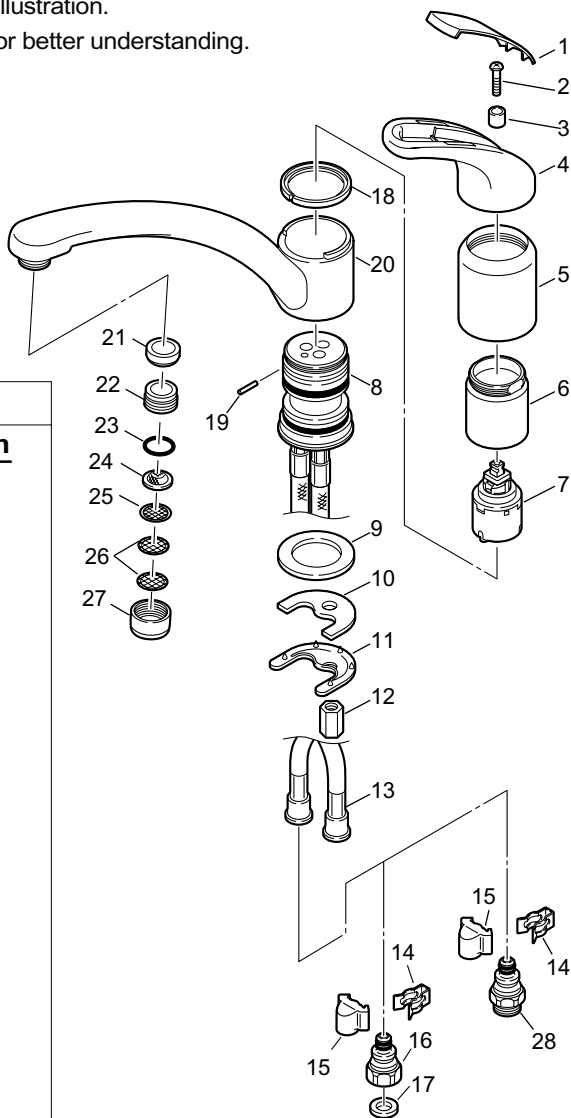
Open the faucet handles to relieve water pressure and ensure that complete water shut-off has been accomplished.

(Complies with ASME A112.18.1)

PARTS LIST

The structure shown is an illustration.

Please use this structure for better understanding.



K876J-BW

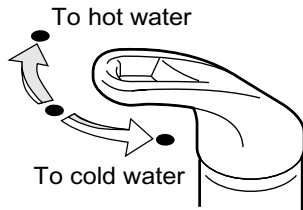
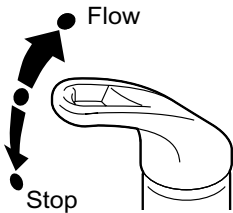
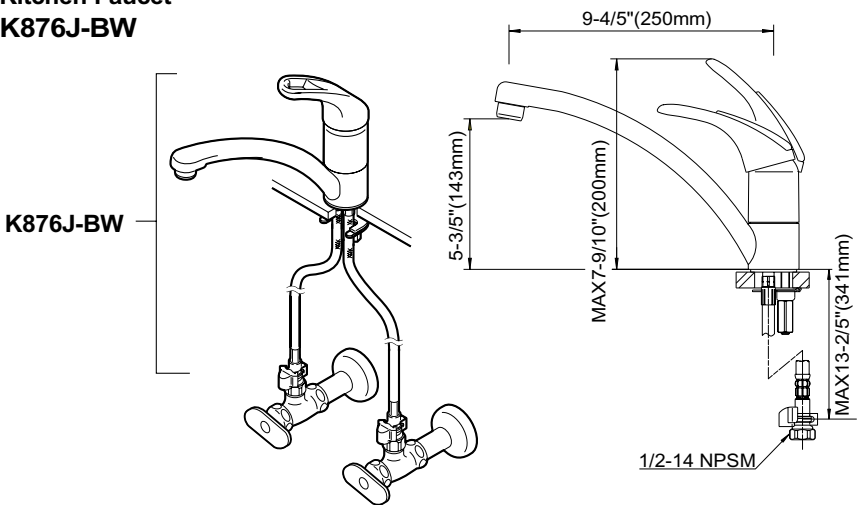
General Description

1. Cap
2. Screw
3. Spacer
4. Lever
5. Cover
6. Cartridge Holder
7. Ceramic Cartridge
8. Unit Body
9. Seat Packing
10. Rubber Packing
11. Metal Washer
12. Lock Nut
13. Flex Tube
14. Fastener Clip
15. Lock Cover
16. Fastener Adapter
17. Rubber Packing
18. Ring
19. Lock Pin
20. Spout
21. Flow Restrictor
22. Metal Fitting
23. O-Ring
24. Net Filter A
25. Net Filter B
26. Net Filter C
27. Aerator Body

28. Fastener Adapter (male)

OPERATION

Kitchen Faucet K876J-BW



PRIOR TO INSTALLATION

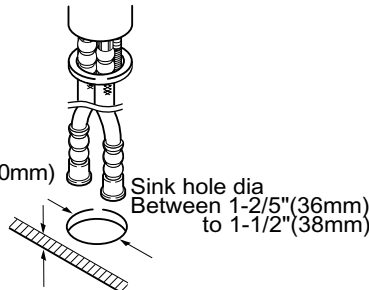
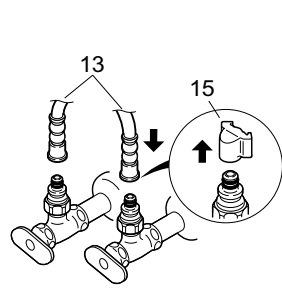
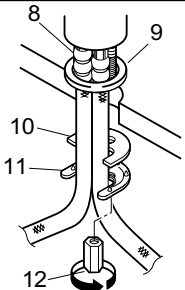
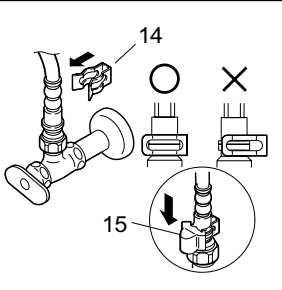
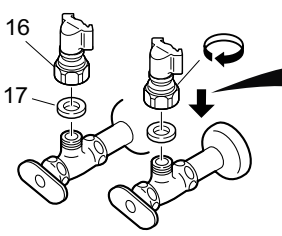
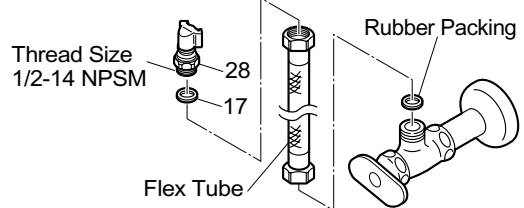
Prior to installing new faucet, install the items listed below:

- * Kitchen Sink
- * Drain Line

Important !

- * All plumbing is to be installed in accordance with applicable codes and regulations.
- * Flush all water lines prior to making connection.

INSTALL FAUCET

<p>1</p>  <p>MAX 1-1/5"(30mm)</p> <p>Sink hole dia Between 1-2/5"(36mm) to 1-1/2"(38mm)</p>	<p>4</p> 
<p>2</p> 	<p>5</p> 
<p>3</p>  <p>NOTE : Thread Size 1/2-14 NPSM</p>	<p>To extend both cold water and hot water supply hoses.</p> <p>In case the supply hoses from the faucet cannot reach to the stop valves for connection, please use the fastener adaptor (male thread type) to extend the supply hose from the stop valves. (Flex supply tube not supplied.)</p>  <p>Thread Size 1/2-14 NPSM</p> <p>Rubber Packing</p> <p>Flex Tube</p>

1. Measurement

Be sure that mounting space is clean and dry.

Please make sure the diameter of the mounting hole before installation.

(Please pay attention not to bend the hose tube excessively.)

2. Install faucet

Install the faucet body on the kitchen sink. The front side of the spout should face you. Then, make tightening the lock nut(12). (counterclockwise) Please don't forget to put a seat packing(9), rubber packing(10), and metal washer(11) between unit body(8) and lock nut(12).

3. Install "quick fastener" adapter

Please install the adapters(16) onto the each stop valves(not supplied). Please don't forget packing(17) between angle stop valve and adapter(16).

4. Remove lock cover

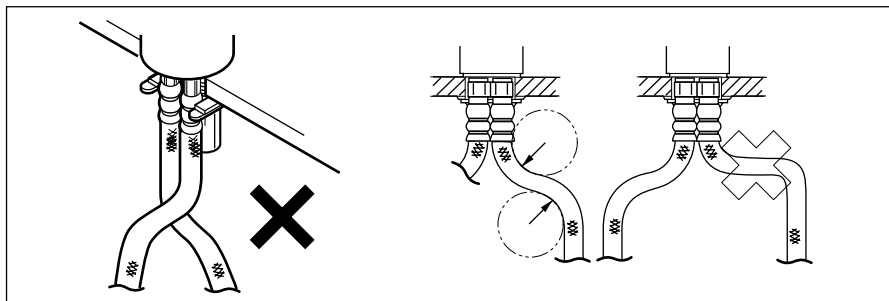
Remove the lock cover(15) from the adapter(16).

5. Connection

Connect flexible tube(13) from the faucet with adapter(16). Then, please clip them With fastener clip(14) until there make a "click sound". After making sure the connection is done in perfect, please attach the lock cover(15) onto a fastener clip(14).

6. Work testing

Please go to "Flushing instruction" section before starting to use faucet.

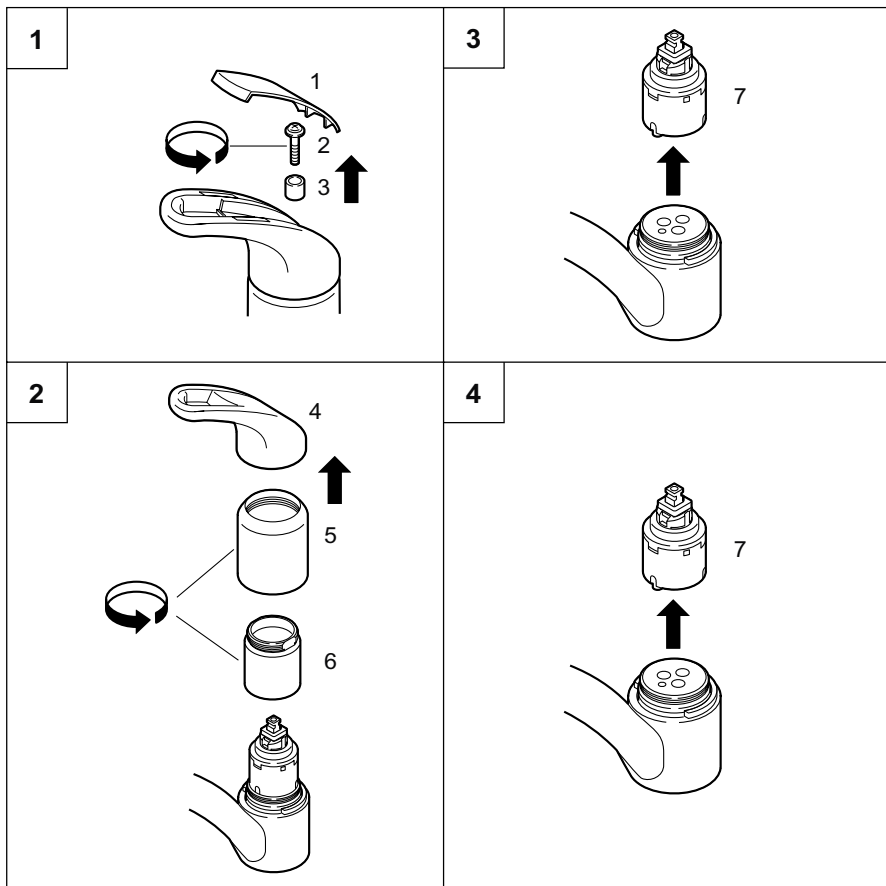


CAUTION!

Please pay attention to the following points when installing the faucet.

- * Install the supply tube to the cold and the hot supply side properly. Don't tangle the hose when installing because the connection will become loose when the strong water pressure is added.
- * Keep enough distance between the hoses. Without the distance, the hose will rub each other and it will cause damage to the hose.
- * When bending the hose, keep the radius more than 50mm. Excessive bending will cause damage to the hose.
- * When installing the faucet, do not excessively bend the ending part of the hose.
- * "C" mark on the supply tube stands for cold water supply use.
- * "H" mark on the supply tube stands for hot water supply use.

CARTRIDGE REPLACEMENT



Caution!

Always turn water OFF before removing the cartridge. Open the handle to relieve water pressure and ensure that water shut-off has been accomplished.

1. Remove the top cap(1) of the handle & loosen the screw(2) with screw driver.
2. After removing the lever(4), loosen the top cover(5).
3. Loosen the cartridge holder(6).
4. Remove an old ceramic cartridge(7) with pliers and replace a new ceramic cartridge(7).
5. To reassemble, reverse the previous steps.

FLUSHING INSTRUCTIONS

IMPORTANT! : Pipe chips, sand, stones and other solid found in new and renovated plumbing can damage the sealing of the cartridge and cause leaks to avoid damage,

DO NOT TURN ON SUPPLY VALVES until instructed below.

1. After installing and connecting your new faucet, turn on in the full cold position (handle pointing to the right) and turn on the cold supply for 15 seconds.
2. Without closing the handle, turn to the full hot position (handle pointing to the left) and turn on the hot supply for 15 seconds.
3. Close the handle, then using a towel unscrew the aerator from the end of the spout and clean the aerator.
4. Using a towel replace the aerator and check the system for leaks.

TROUBLESHOOTING

TO CORRECT REVERSED HOT AND COLD POSITIONS :

1. Shut off both stop valves. Then, open faucet handles to relieve water pressure that complete water shut-off has been accomplished.
2. Remove a lock cover and fastener clip in order. Then, remove the flex supply tubes.
Re-connect each flex supply tubes into different supply stop valves.
(An excessive bending will cause leaking and damage to the tubes.)
Then, attach the fastener clip and lock cover after connecting the supply tubes.
3. Re-installing and connecting, turn on both cold and hot supply.
4. Turn on in the full position, make sure that the each positions keeps correct way & make sure any water leakage.

MAINTENANCE

Care and Cleaning of Chrome and Special Finishes

Do not use abrasive or chemical cleaners (including chlorine bleach) to clean faucets as they may dull the luster and attack the chrome or special decorative finishes.

Use **ONLY** soap and water, then wipe dry with clean cloth or towel.

While cleaning the bathroom tile, the faucet should be protected from any splattering of cleaner. Acids and cleaning fluids will discolor or remove chrome plating.