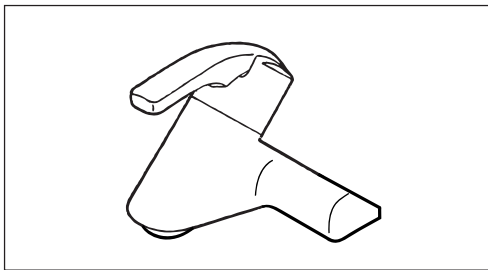


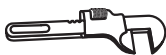
INSTALLATION INSTRUCTIONS

**K577P-BW**
SINGLE HANDLE
Lavatory Faucet**Tools**

For safety and easy faucet replacement, San-Ei recommends the use of the following helpful tools:



SAFETY GLASSES



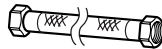
PIPE WRENCH



PLIERS



CHANNEL LOCKS



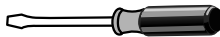
FLEXIBLE SUPPLY TUBES



ADJUSTABLE WRENCH



BASIN WRENCH



PHILLIPS SCREWDRIVER



FLASHLIGHT

About This Manual**Keep Instructions for Future Reference**

Thank you for purchasing San-Ei's quality faucet.

With simple care and maintenance, it will provide you with many years of reliable performance.

Please read instructions before installation.

TIPS FOR REMOVAL OF OLD FAUCET

CAUTION: Always turn water OFF before removing existing faucet or disassembling the faucet.

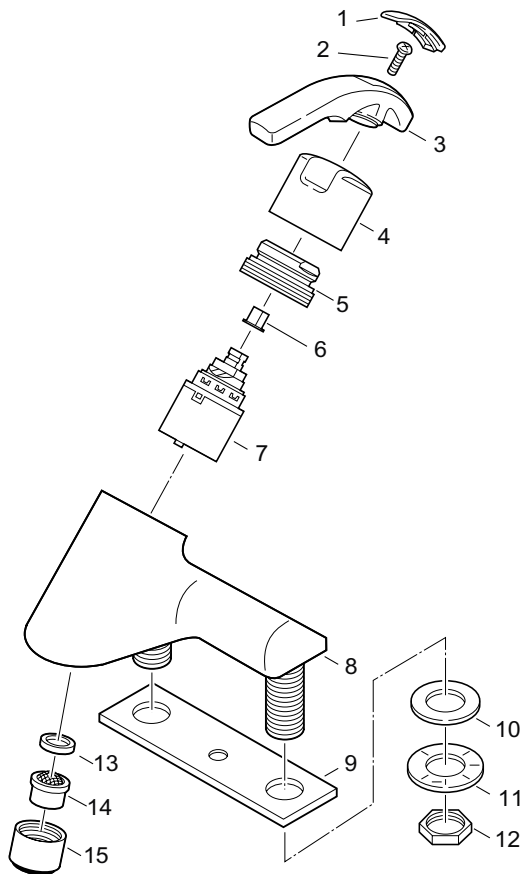
Open the faucet handles to relieve water pressure and ensure that complete water shut-off has been accomplished.

(Complies with ASME A112.18.1)

PARTS LIST

The structure shown is an illustration.

Please use this structure for better understanding.



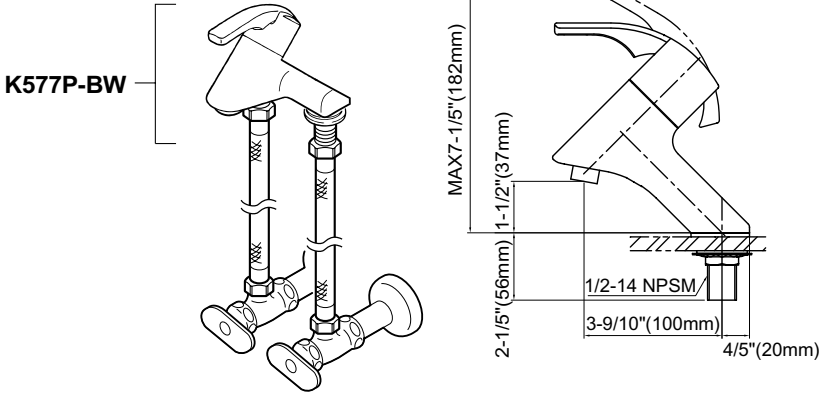
K577P-BW

General Description

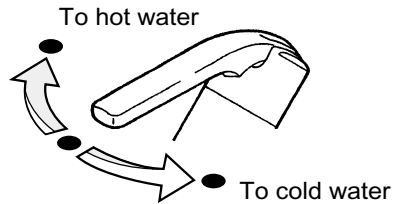
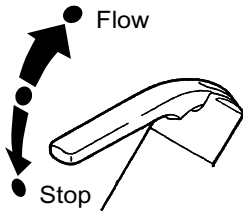
1. Cap
2. Screw
3. Lever
4. Cover
5. Cartridge Holder
6. Lever Holder
7. Ceramic Cartridge
8. Unit Body
9. Seat Packing
10. Rubber Packing
11. Metal Washer
12. Lock Nut
13. Rubber Packing
14. Aerator
15. Aerator Body

OPERATION

Lavatory Faucet K577P-BW



NOTE : Maximum deck thickness for installation is 1-1/5"(30mm).
Waste assemble are included with some models.



PRIOR TO INSTALLATION

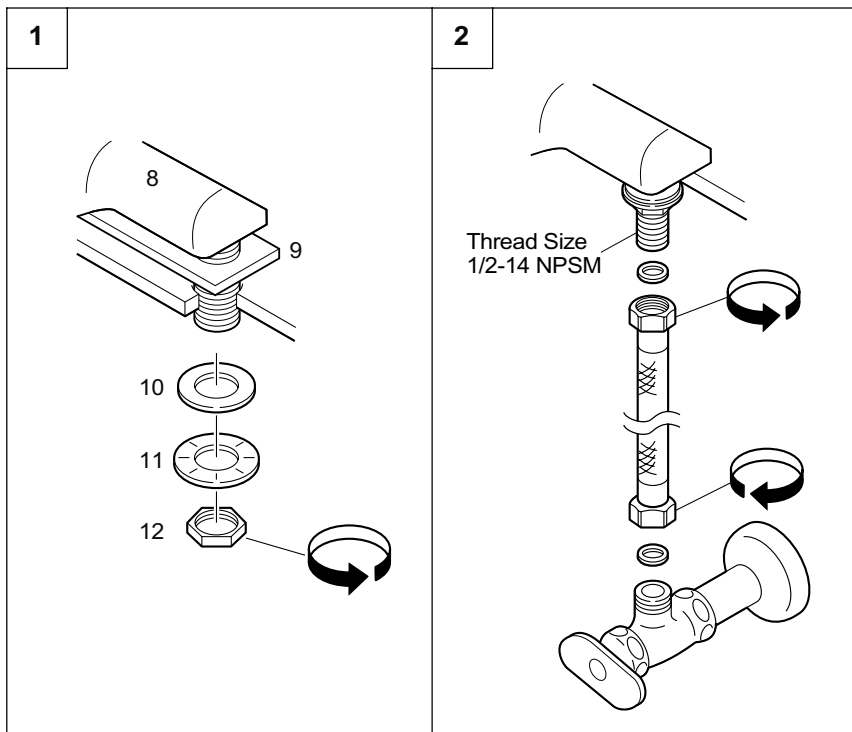
Prior to installing new faucet, install the items listed below:

- * Lavatory sink
- * Drain Line

Important !

- * All plumbing is to be installed in accordance with applicable codes and regulations.
- * Flush all water lines prior to making connection.

INSTALL FAUCET



1. Install faucet

Be sure that mounting space is clean and dry.

The front side should face you. Then, make tightening the lock nut(12). (counterclockwise) Please don't forget to put a seat packing(9), rubber packing (10), and metal washer(11), between faucet(8) and lock nut(12).

2. Connection

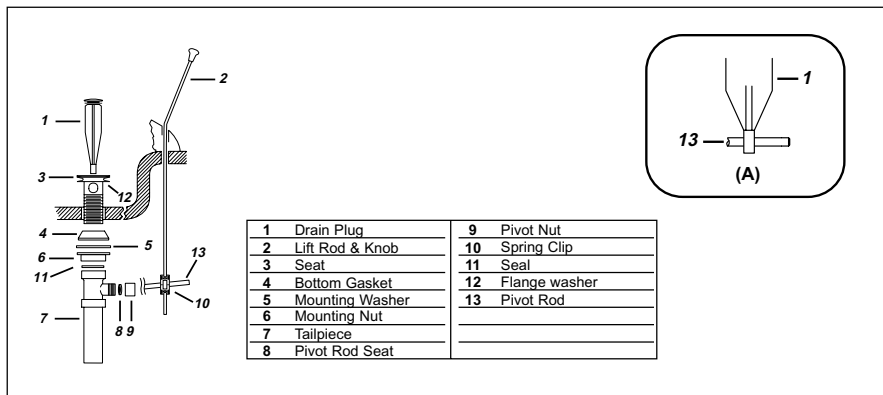
From the below lavatory sink, connect flexible supply tubes(not supplied) to the nipple(male thread) from faucet tightly with plier.

The other side of flexible tube nuts should be connected to stop valves (not supplied).

3. Work testing

Please go to "Flushing Instruction" section before starting to use faucet. If you are installing a SAN-EI pop-up waste assembly, go to 4(pop-up waste assembly instruction).

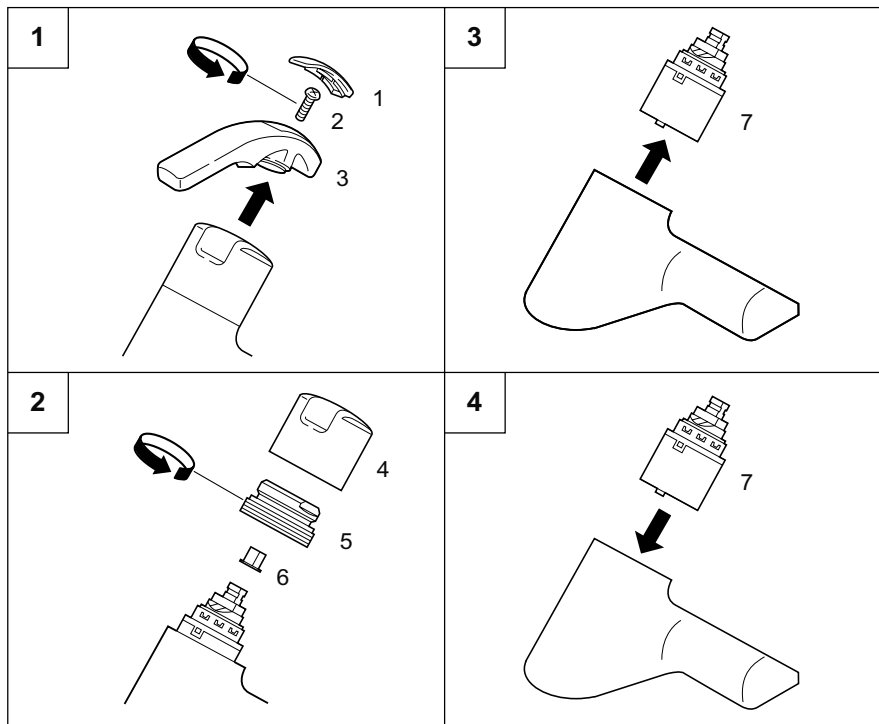
4. Pop-up waste assembly instruction



1. Place Flange washer (12) under seat (3).
2. Drop seat into drain opening in sink.
3. From underneath the sink, slide the bottom gasket (4), mounting washer (5) and mounting nut (6) onto drain seat and hand tighten.
4. Fit seal (11) inside the drain tailpiece (7).
5. Install the tailpiece and hand tighten. Align the entire assembly so that the pivot rod opening is facing the rear of the sink, hand tighten the mounting nut (6) until snug.
6. Drop in drain plug (1) and install pivot rod in one of the following ways:

(A) VANDALPROOF: Prevents unauthorized removal of drain plug. Place pivot rod seat (8) into opening of tailpiece as shown. Place the pivot rod (13) into the opening and position the pivot rod through the drain plug hole as shown in illustration (A) above. Slide the pivot nut (9) onto the pivot rod and thread it snugly onto the drain body, be careful not to overtighten.

CARTRIDGE REPLACEMENT



Caution!

Always turn water OFF before removing the cartridge. Open the handle to relieve water pressure and ensure that water shut-off has been accomplished.

1. Remove the top cap(1) of the handle & loosen the screw(2) with screw driver.
2. After removing the lever(3), unscrew the cartridge cover(4) and cartridge holder(5).
3. Remove an old ceramic cartridge(7) with pliers and replace a new ceramic cartridge(7).
4. To reassemble, reverse the previous steps.

FLUSHING INSTRUCTIONS

IMPORTANT! : Pipe chips, sand, stones and other solid found in new and renovated plumbing can damage the cealing of the cartridge and cause leaks to avoid damage,
DO NOT TURN ON SUPPLY VALVES until instructed below.

1. After installing and connecting your new faucet, turn on in the full cold position (handle pointing to the right) and turn on the cold supply for 15 seconds.
2. Without closing the handle, turn to the full hot position (handle pointing to the left) and turn on the hot supply for 15 seconds.
3. Close the handle, then using a towel unscrew the aerator from the end of the spout and clean the aerator.
4. Using a towel replace the aerator and check the system for leaks.

TROUBLESHOOTING

TO CORRECT REVERSED HOT AND COLD POSITIONS :

1. Shut off both stop valves. Then, open faucet handles to relieve water pressure that complete water shut-off has been accomplished.
2. Loosen nut and remove flex supply tubes. Re-connect each flex supply tubes into different supply stop valves. (Excessive bending will cause leaking and damage to the pipes.) Then, tighten each of flex supply tubes.
3. Re-installing and connecting, turn on both cold and hot supply.
4. Turn on in the full position, make sure that the each positions keeps correct way & make sure any water leakage.

MAINTENANCE

Care and Cleaning of Chrome and Special Finishes

Do not use abrasive or chemical cleaners (including chlorine bleach) to clean faucets as they may dull the luster and attack the chrome or special decorative finishes. Use ONLY soap and water, then wipe dry with clean cloth or towel.

While cleaning the bathroom tile, the faucet should be protected from any splattering of cleaner. Acids and cleaning fluids will discolor or remove chrome plating.