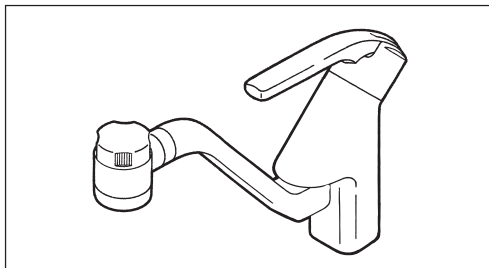


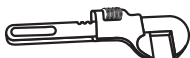
## INSTALLATION INSTRUCTIONS

**K877-BW**  
**SINGLE HANDLE**  
**Kitchen Faucet****Tools**

For safety and easy faucet replacement, San-Ei recommends the use of the following helpful tools:



SAFETY GLASSES



PIPE WRENCH



PLIERS



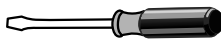
CHANNEL LOCKS



ADJUSTABLE WRENCH



BASIN WRENCH



PHILLIPS SCREWDRIVER



FLASHLIGHT

**About This Manual****Keep Instructions for Future Reference**

Thank you for purchasing San-Ei's quality faucet.

With simple care and maintenance, it will provide you with many years of reliable performance.

Please read instructions before installation.

**TIPS FOR REMOVAL OF OLD FAUCET**

**CAUTION:** Always turn water OFF before removing existing faucet or disassembling the faucet.

Open the faucet handles to relieve water pressure and ensure that complete water shut-off has been accomplished.

(Complies with ASME A112.18.1)

# PARTS LIST

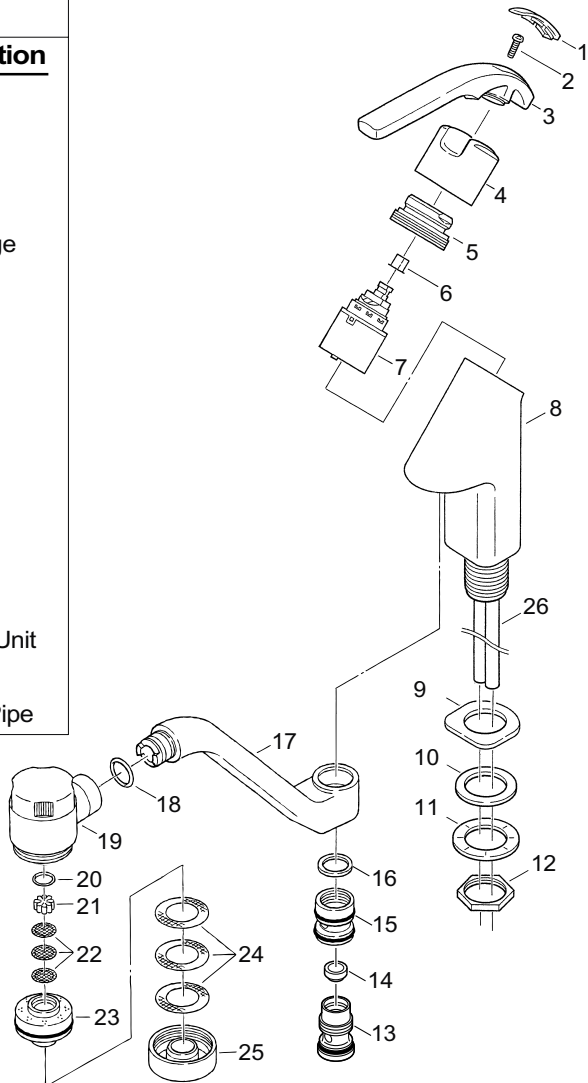
The structure shown is an illustration.

Please use this structure for better understanding.

## K877-BW

### General Description

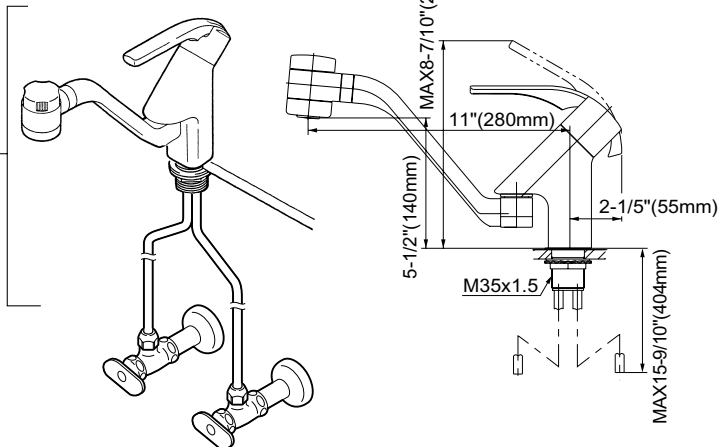
1. Cap
2. Screw
3. Lever
4. Cover
5. Cartridge Holder
6. Lever Holder
7. Ceramic Cartridge
8. Unit Body
9. Seat Packing
10. Rubber Packing
11. Metal Washer
12. Lock Nut
13. Restrictor Holder
14. Flow Restrictor
15. Connection Nut
16. Rubber Packing
17. Spout
18. O-Ring
19. Shower Head
20. O-Ring
21. Aerator
22. Net Filter
23. Decompression Unit
24. Net Filter
25. Shower Body
26. Copper Supply Pipe



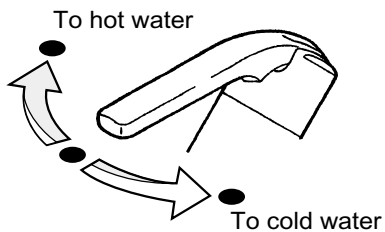
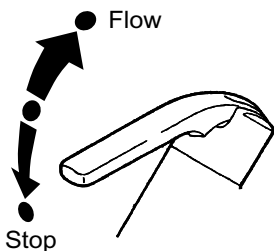
# OPERATION

## Kitchen Faucet K877-BW

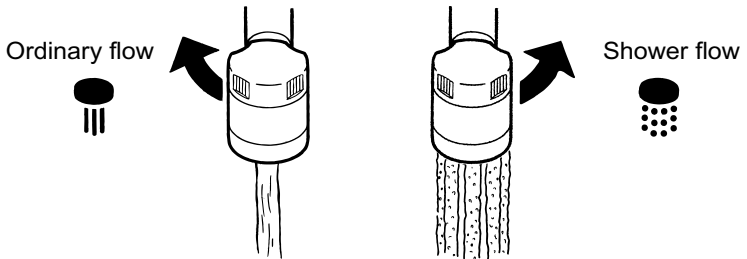
K877-BW



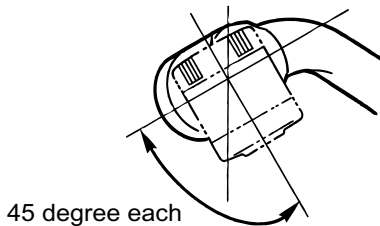
**NOTE :** Maximum deck thickness for installation is 1-1/5"(30mm).  
Hole size for installation is between 1-2/5"(36mm) to 1-1/2"(38mm).  
Waste assemble are included with some models.



Either ordinary flow or shower flow can be used.



The spout head is twistable in 45 degree each.



**Caution!:**

- \* Don't loosen the nut while water is running. This may cause to injure properties, due to the water leakage.
- \* Don't twist excessively.  
The twisting angle of the spout head should be less than 45 degree each.

**PRIOR TO INSTALLATION**

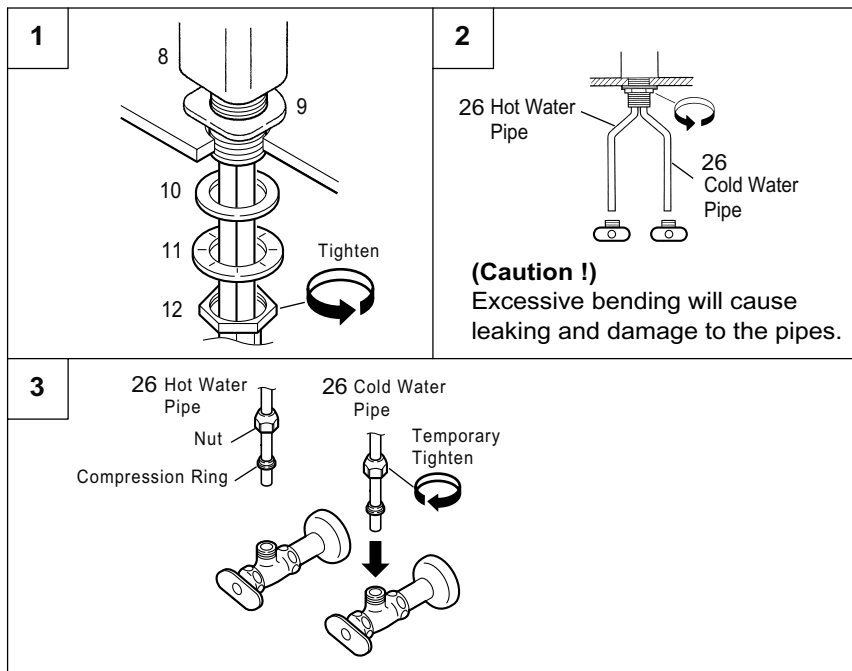
Prior to installing new faucet, install the items listed below:

- \* Kitchen sink
- \* Drain Line

**Important !**

- \* All plumbing is to be installed in accordance with applicable codes and regulations.
- \* Flush all water lines prior to making connection.

# INSTALL FAUCET



## 1. Install faucet

Be sure that mounting space is clean and dry.

The front side of the spout should face you. Then, make tightening the lock nut(12). (counterclockwise) Please don't forget to put a seat packing(9), rubber packing (10), and metal washer(11), between faucet body(8) and lock nut(12).

## 2. Bending copper pipes

Please bend the copper pipes refer to the instruction.

Excessive bending may cause water leakage and damage to the pipes.

## 3. Connection

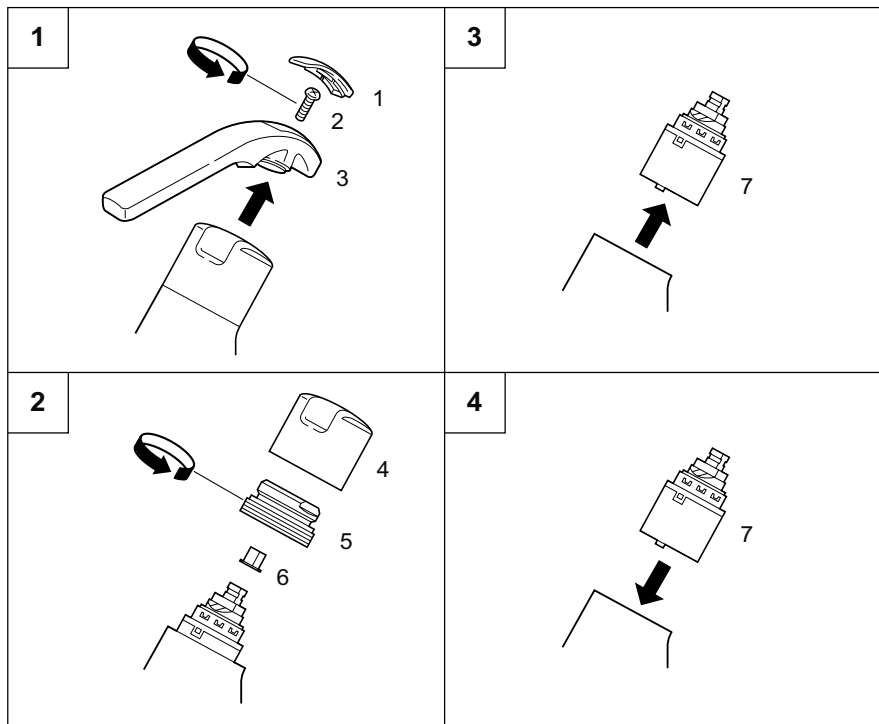
Connect copper supply pipes(26) to the existing hot and cold stop valves(not supplied). (Please don't forget to put the compression ring(not supplied) between the nut and stop valve.)

Make tightening the nut of stop valves(not supplied).

## 4. Work testing

Please go to "Flushing Instruction" section before starting to use faucet.

## CARTRIDGE REPLACEMENT



### Caution!

Always turn water OFF before removing the cartridge. Open the handle to relieve water pressure and ensure that water shut-off has been accomplished.

1. Remove the top cap(1) of the handle & loosen the screw(2) with screw driver.
2. After removing the lever(3), unscrew the cartridge cover(4) and cartridge holder(5).
3. Remove an old ceramic cartridge(7) with pliers and replace a new ceramic cartridge(7).
4. To reassemble, reverse the previous steps.

## **FLUSHING INSTRUCTIONS**

**IMPORTANT!** : Pipe chips, sand, stones and other solid found in new and renovated plumbing can damage the cealing of the cartridge and cause leaks to avoid damage,

**DO NOT TURN ON SUPPLY VALVES** until instructed below.

1. After installing and connecting your new faucet, turn on in the full cold position (handle pointing to the right) and turn on the cold supply for 15 seconds.
2. Without closing the handle, turn to the full hot position (handle pointing to the left) and turn on the hot supply for 15 seconds.
3. Close the handle, then using a towel unscrew the aerator from the end of the spout and clean the aerator.
4. Using a towel replace the aerator and check the system for leaks.

## **TROUBLESHOOTING**

**TO CORRECT REVERSED HOT AND COLD POSITIONS :**

1. Shut off both stop valves. Then, open faucet handles to relieve water pressure that complete water shut-off has been accomplished.
2. Loosen nut and remove copper supply pipes. Re-connect each copper pipes into different supply stop valves. (Excessive bending will cause leaking and damage to the pipes.) Then, tighten each nuts to compress the copper pipe. (Don't forget to put compression ring with copper pipe.)
3. Re-installing and connecting, turn on both cold and hot supply.
4. Turn on in the full position, make sure that the each positions keeps correct way & make sure any water leakage.

## **MAINTENANCE**

### **Care and Cleaning of Chrome and Special Finishes**

Do not use abrasive or chemical cleaners (including chlorine bleach) to clean faucets as they may dull the luster and attack the chrome or special decorative finishes.

Use **ONLY** soap and water, then wipe dry with clean cloth or towel.

While cleaning the bathroom tile, the faucet should be protected from any splattering of cleaner. Acids and cleaning fluids will discolor or remove chrome plating.