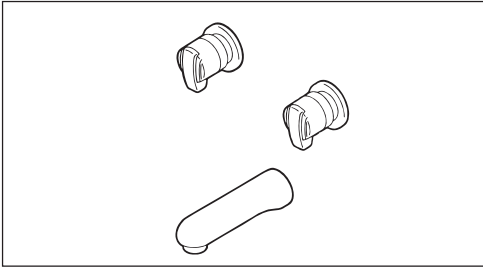


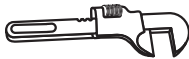
INSTALLATION INSTRUCTIONS

**K9175-BW**
TWO HANDLE
Concealed Tub Faucet**Tools**

For safety and easy faucet replacement, San-Ei recommends the use of the following helpful tools:



SAFETY GLASSES



PIPE WRENCH



PLIERS



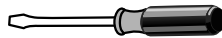
CHANNEL LOCKS



ADJUSTABLE WRENCH



BASIN WRENCH



PHILLIPS SCREWDRIVER



FLASHLIGHT

About This Manual**Keep Instructions for Future Reference**

Thank you for purchasing San-Ei's quality faucet.

With simple care and maintenance, it will provide you with many years of reliable performance.

Please read instructions before installation.

TIPS FOR REMOVAL OF OLD FAUCET

CAUTION: Always turn water OFF before removing existing faucet or disassembling the faucet.

Open the faucet handles to relieve water pressure and ensure that complete water shut-off has been accomplished.

(Complies with ASME A112.18.1)

PARTS LIST

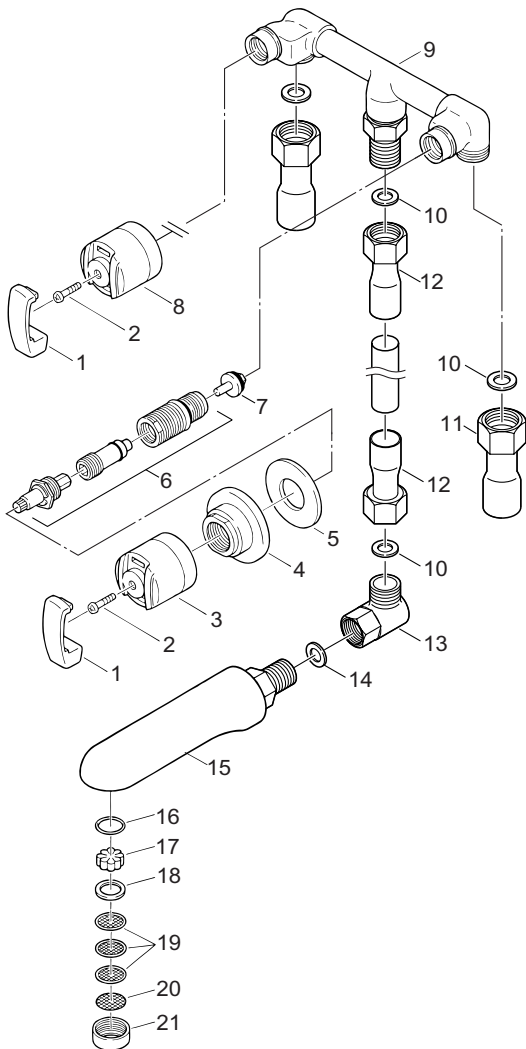
The structure shown is an illustration.

Please use this structure for better understanding.

K9175-BW

General Description

1. Cap
2. Screw
3. Handle (Blue)
4. Handle Escutcheon
5. Seat packing
6. Click Cartridge Top Portion
7. Rubber Packing
8. Handle (Red)
9. Body
10. Packing
11. Socket
12. Socket
13. Elbow
14. Packing
15. Spout
16. O-Ring
17. Aerator
18. Rubber Packing
19. Net Filter A
20. Net Filter B
21. Aerator Body



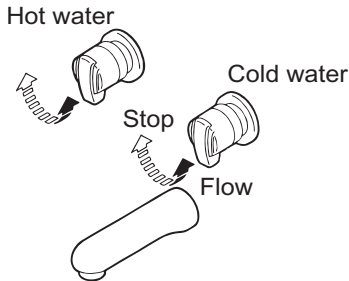
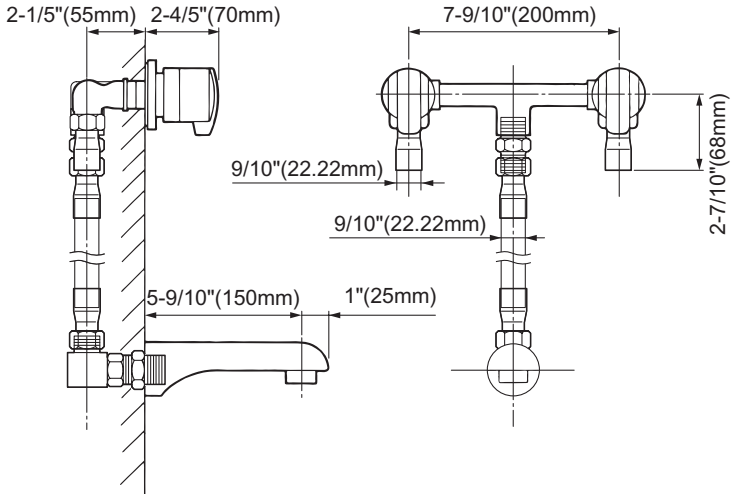
OPERATION

Concealed Tub Faucet

K9175-BW

Installation Dimension

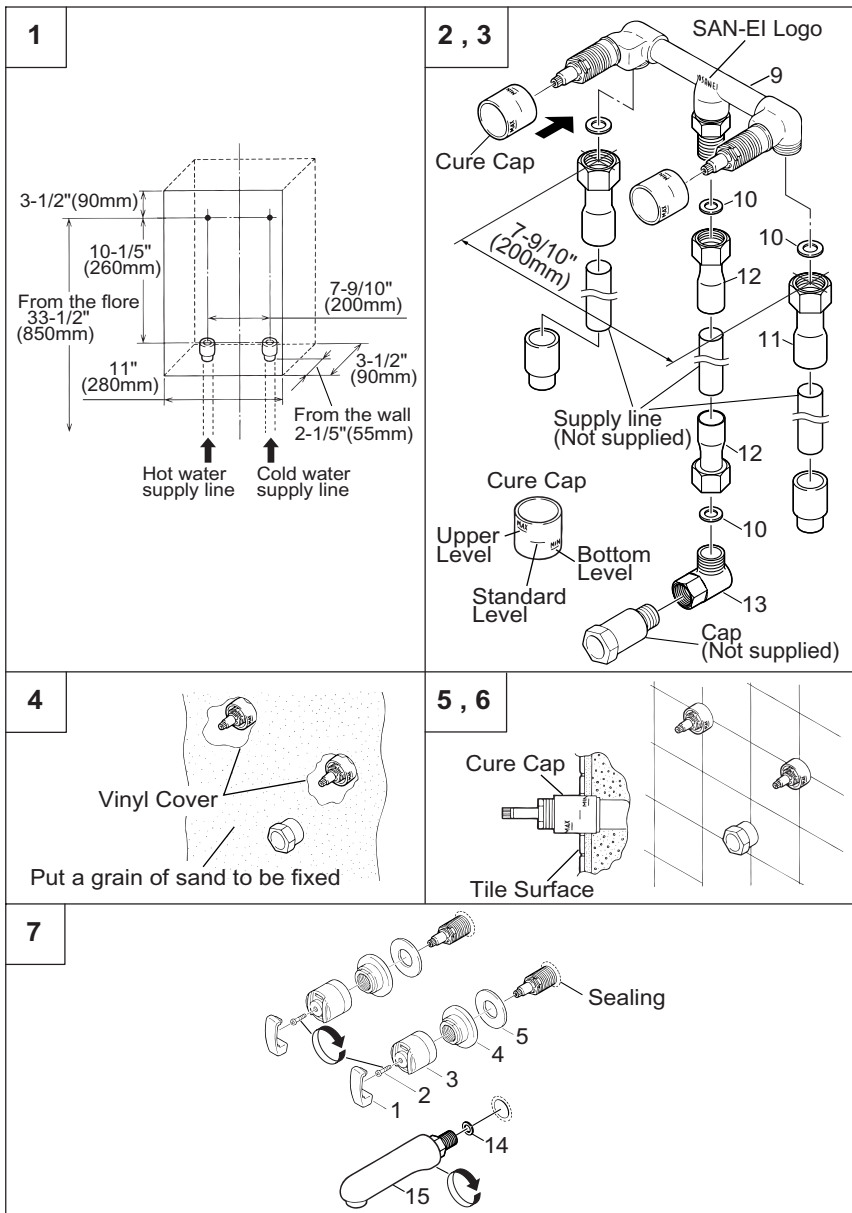
Please follow the installation dimensions carefully. Improper installation may result in the prevention of water flowing directly into the tub.



Important !

- * All plumbing is to be installed in accordance with applicable codes and regulations.
- * Flush all water lines prior to making connection.

INSTALL FAUCET



1. Working for supply line

2. Installation

(1) Install copper socket into faucet body(9).
(Water supply lines should be connected to copper socket in advance.)

NOTE : The SAN-EI logo on the faucet body(9) should face you.

(2) The cure cap should be covered until the installation for tiles are done.

NOTE : The cure cap marks the installation level.

CAUTION!

Please pay attention to the following points when installing the faucet.

* Install the supply tube to the cold and the hot supply side properly.

3. Check

Open supply valves to make sure there is no water leakage.

(Check the leakage in each connection area.)

After checking the supply valves for leakage, make sure that shut-off has been accomplished.

4. Bury faucet body

Do this after the thread and spindle portions are covered by masking tape.

If you don't use a mortar or other related materials to attach the faucet body(9), please use support metal fittings to attach it.

5. Install Ceramic Tiles

Please pay attention to the installation level marked on the cure caps.

Installation level should be adjusted within the level marked on the cure caps.

NOTE : Please be careful not to put mortar into cure caps.

6. Remove all cure caps

7. Assembling faucet handle and spout

To prevent water from filling up in the hollow place on the ceramic tiles, please apply a coat of sealing putty in the hollow area in advance.

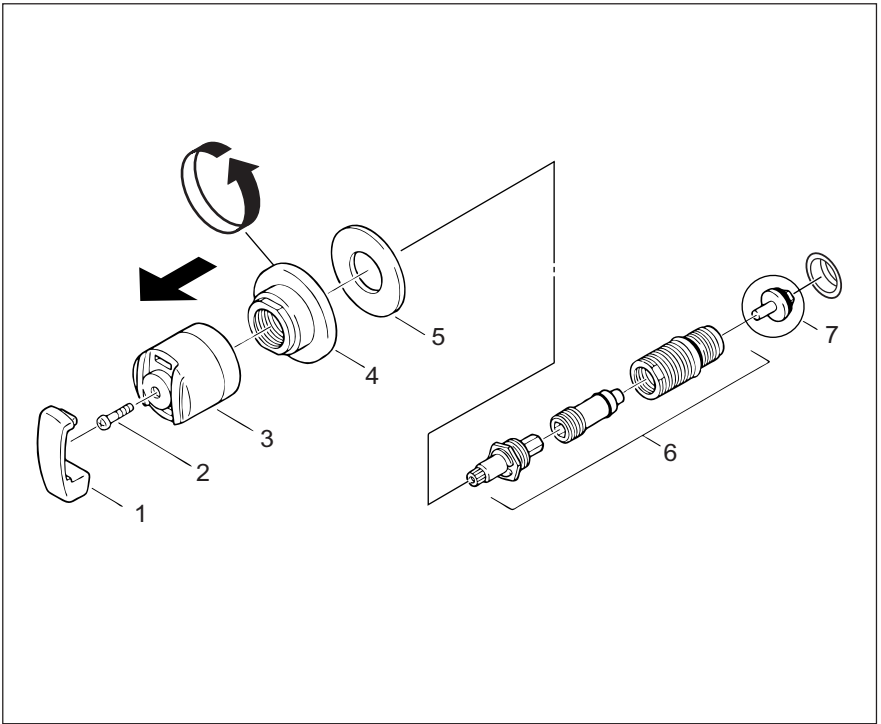
Then, install the handle and spout.

(The connection portion should be given a coat of sealing materials.)

8. Work testing

Please go to the "Flushing instruction" section before using the faucet.

CARTRIDGE REPLACEMENT



Caution!

Always turn water OFF before removing the cartridge. Open the handle to relieve water pressure and ensure that water shut-off has been accomplished.

1. Remove the top cap(1) from the handle(3) and loosen the screw(2) with screw driver.
2. After removing the handle(3), loosen the handle escutcheon(4). (counter clockwise) Also remove the seat packing(5).
3. Remove the spindle parts set(6) with pliers.
4. Remove the old rubber packing(7) with pliers and replace with new rubber packing(7).
5. To reassemble, reverse the previous steps.

FLUSHING INSTRUCTIONS

IMPORTANT! : Pipe chips, sand, stones and other solid found in new and renovated plumbing can damage the ceiling of the cartridge and cause leaks. To avoid damage,

DO NOT TURN ON SUPPLY VALVES until instructed below.

1. After installing and connecting your new faucet, turn on in the full cold position (handle pointing to the right) and turn on the cold supply for 15 seconds.
2. Without closing the handle, turn to the full hot position (handle pointing to the left) and turn on the hot supply for 15 seconds.
3. Close the handle, then using a towel, unscrew the aerator from the end of the spout and clean the aerator.
4. Using a towel replace the aerator and check the system for leaks.

TROUBLESHOOTING

TO CORRECT REVERSED HOT AND COLD POSITIONS :

1. Shut off both stop valves. Then, open faucet handles to relieve water pressure until complete water shut-off has been accomplished.
2. Loosen nut and remove supply lines. Re-connect each supply line into different supply stop valves.(Excessive bending will cause leaking and damage to the lines.) Then, tighten each of the supply lines.
3. Re-install and connect, turn on both cold and hot water supply.
4. Turn on in the full position, make sure that the positioning is correct and make sure there is no water leakage.

MAINTENANCE

Care and Cleaning of Chrome and Special Finishes

Do not use abrasive or chemical cleaners (including chlorine bleach) to clean faucets as they may dull the luster and attack the chrome or special decorative finishes.

Use **ONLY** soap and water, then wipe dry with clean cloth or towel.

While cleaning the bathroom tile, the faucet should be protected from any splattering of cleaner. Acids and cleaning fluids will discolor or remove chrome plating.