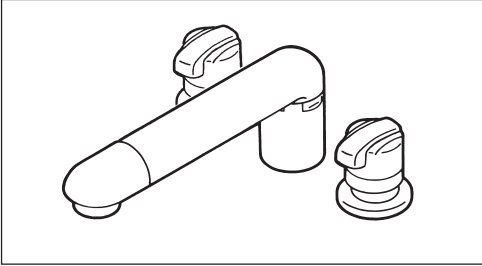


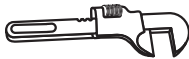
INSTALLATION INSTRUCTIONS

**K917D-L-BW**
TWO HANDLE
Roman Tub Faucet**Tools**

For safety and easy faucet replacement, San-Ei recommends the use of the following helpful tools:



SAFETY GLASSES



PIPE WRENCH



PLIERS



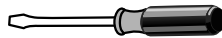
CHANNEL LOCKS



ADJUSTABLE WRENCH



BASIN WRENCH



PHILLIPS SCREWDRIVER



FLASHLIGHT

About This Manual**Keep Instructions for Future Reference**

Thank you for purchasing San-Ei's quality faucet.

With simple care and maintenance, it will provide you with many years of reliable performance.

Please read instructions before installation.

TIPS FOR REMOVAL OF OLD FAUCET

CAUTION: Always turn water OFF before removing existing faucet or disassembling the faucet.

Open the faucet handles to relieve water pressure and ensure that complete water shut-off has been accomplished.

(Complies with ASME A112.18.1)

PARTS LIST

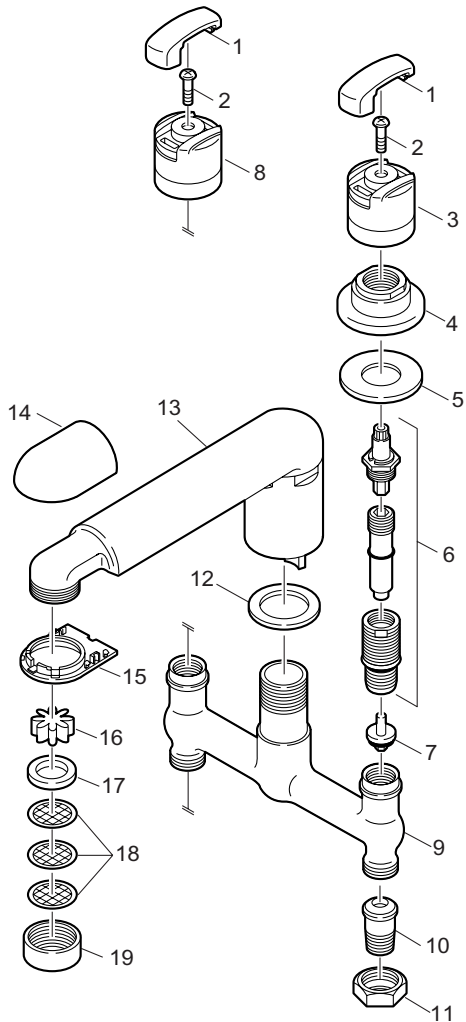
The structure shown is an illustration.

Please use this structure for better understanding.

K917D-L-BW

General Description

1. Cap
2. Screw
3. Handle (Blue)
4. Handle Escutcheon
5. Seat packing
6. Click Cartridge Top Portion
7. Rubber Packing
8. Handle (Red)
9. Body
10. Socket
11. Union Nut
12. Seat Packing
13. Spout
14. Protection Top Cover
15. Protection Under Cover
16. Aerator
17. Rubber Packing
18. Net Filter
19. Aerator Body

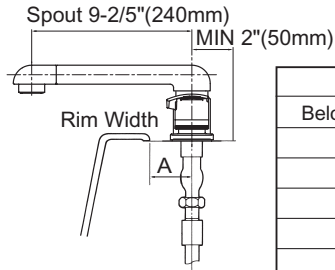


OPERATION

Roman Tub Faucet K917D-L-BW

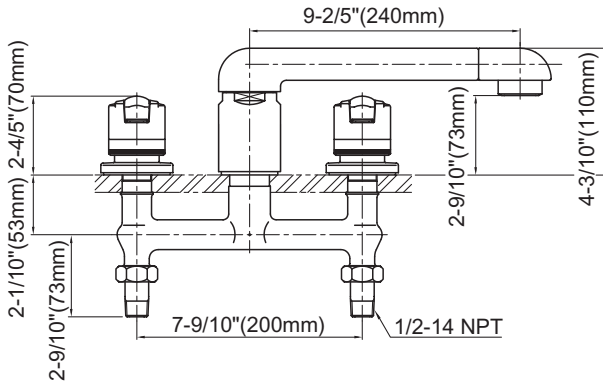
Installation Dimension

Please kindly follow the installation dimension.
Improper installation may cause that water is not coming out to the tub.

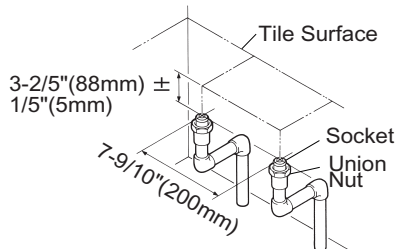


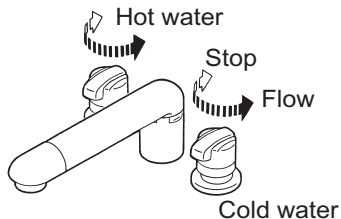
Spout 9-2/5" (240mm)

| Rim Width | A |
|---------------------|--------------------------------------|
| Below 2-4/5" (70mm) | Between 2" (50mm) to 5-3/10" (135mm) |
| 3-1/2" (90mm) | Between 2" (50mm) to 4-1/2" (115mm) |
| 3-9/10" (100mm) | Between 2" (50mm) to 3-1/10" (105mm) |
| 4-7/10" (120mm) | Between 2" (50mm) to 3-3/10" (85mm) |
| 5-1/2" (140mm) | Between 2" (50mm) to 2-3/5" (65mm) |
| 6-1/10" (155mm) | 2" (50mm) |
| Over 6-1/2" (165mm) | Can not be used. |



Please connect socket with union nut onto supply pipe.
Then, the length between top surface level and supply the level should keep $3-2/5" (88mm) \pm 1/5" (5mm)$.
(Both supply line level should be the same level each other.)



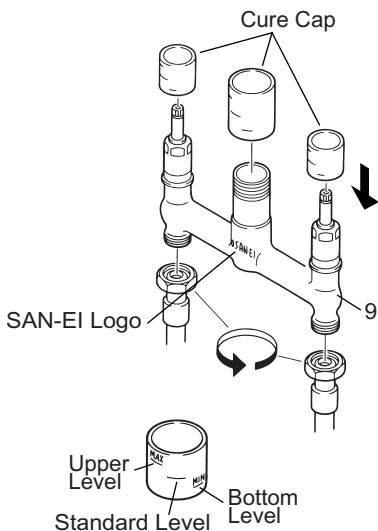


Important !

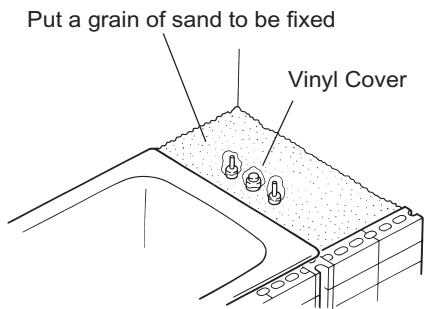
- * All plumbing is to be installed in accordance with applicable codes and regulations.
- * Flush all water lines prior to making connection.

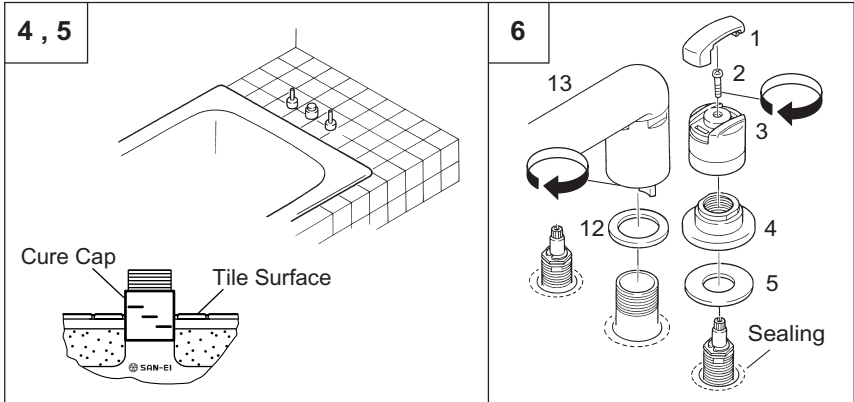
INSTALL FAUCET

1, 2



3





1. Installation

- (1) Connect water supply line with faucet body(9). (Tighten the union nut.) SAN-EI logo on the faucet bodies(9) should keep facing to inside bath tub. (In case you install the opposite direction, faucet spout(13) can not be installed.)
- (2) Cure Cap should be covered until the tiles are laid. The cure cap indicates the level where surface should be finished.

NOTE : Please pay attention the level indication whether finished surface is within the mentioned level or not.

2. Inspection

After installing and connecting the faucet body(9), turn on supply valve to check the water leakage.

3. Assemble parts

All thread portion, spindle portion should be covered or wrapped with such as vinyl in advance.

4. Tile finishing

Please pay attention that the finished surface of tiling should be within the mentioned level or not.

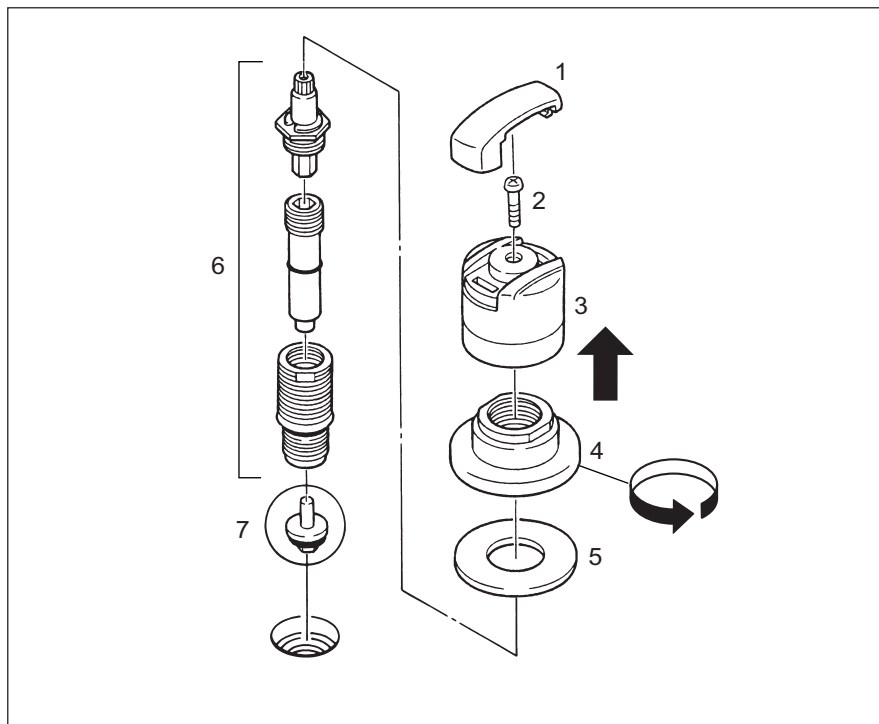
NOTE : Please pay attention the installation, not to put sand or mortar into the faucet body(9) or cure caps.

5. Remove "cure caps" from the faucet body

6. Assemble handles and faucet spout

To protect water going to the cracked space of tiles, put the sealing material to the cracked space. Then, assemble handles(3) and spout(13), referring to the following indication. (Excess sealing should be removed perfectly.)

CARTRIDGE REPLACEMENT



Caution!

Always turn water OFF before removing the cartridge. Open the handle to relieve water pressure and ensure that water shut-off has been accomplished.

1. Remove the top cap(1) from the handle(3) and loosen the screw(2) with screw driver.
2. After removing the handle(3), loosen the handle escutcheon(4). (counter clockwise) Also remove the seat packing(5).
3. Remove the spindle parts set(6) with pliers.
4. Remove an old rubber packing(7) with pliers and replace a new rubber packing(7).
5. To reassemble, reverse the previous steps.

FLUSHING INSTRUCTIONS

IMPORTANT! : Pipe chips, sand, stones and other solid found in new and renovated plumbing can damage the ceiling of the cartridge and cause leaks to avoid damage,

DO NOT TURN ON SUPPLY VALVES until instructed below.

1. After installing and connecting your new faucet, turn on in the full cold position (handle pointing to the right) and turn on the cold supply for 15 seconds.
2. Loosen nut and remove supply lines Re-connect each supply lines into different supply stop valves.(Excessive bending will cause leaking and damage to the lines.) Then, tighten each of supply lines.
3. Close the handle, then using a towel unscrew the aerator from the end of the spout and clean the aerator.
4. Using a towel replace the aerator and check the system for leaks.

TROUBLESHOOTING

TO CORRECT REVERSED HOT AND COLD POSITIONS :

1. Shut off both stop valves. Then, open faucet handles to relieve water pressure that complete water shut-off has been accomplished.
2. Loosen nut and remove supply lines. Re-connect each supply lines into different supply stop valves.(Excessive bending will cause leaking and damage to the lines.) Then, tighten each of supply lines.
3. Re-installing and connecting, turn on both cold and hot supply.
4. Turn on in the full position, make sure that the each positions keeps correct way & make sure any water leakage.

MAINTENANCE

Care and Cleaning of Chrome and Special Finishes

Do not use abrasive or chemical cleaners (including chlorine bleach) to clean faucets as they may dull the luster and attack the chrome or special decorative finishes.

Use **ONLY** soap and water, then wipe dry with clean cloth or towel.

While cleaning the bathroom tile, the faucet should be protected from any splattering of cleaner. Acids and cleaning fluids will discolor or remove chrome plating.