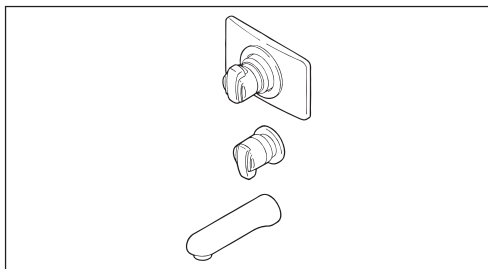


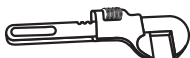
INSTALLATION INSTRUCTIONS

**K9875-BW**
THERMOSTATIC HANDLE
Concealed Thermostatic
Tub Faucet**Tools**

For safety and easy faucet replacement, San-Ei recommends the use of the following helpful tools:



SAFETY GLASSES



PIPE WRENCH



PLIERS

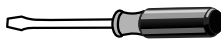
CHANNEL LOCKS



ADJUSTABLE WRENCH



BASIN WRENCH



PHILLIPS SCREWDRIVER



FLASHLIGHT

About This Manual**Keep Instructions for Future Reference**

Thank you for purchasing San-Ei's quality faucet.

With simple care and maintenance, it will provide you with many years of reliable performance.

Please read instructions before installation.

TIPS FOR REMOVAL OF OLD FAUCET

CAUTION: Always turn water OFF before removing existing faucet or disassembling the faucet.

Open the faucet handles to relieve water pressure and ensure that complete water shut-off has been accomplished.

(Complies with ASME A112.18.1 and ASSE 1016)

PARTS LIST

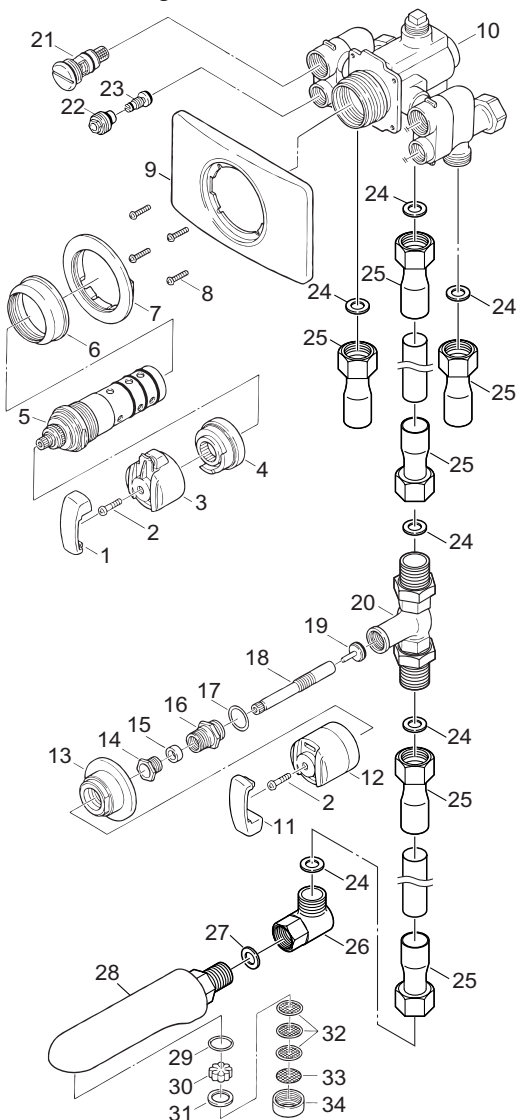
The structure shown is an illustration.

Please use this structure for better understanding.

K9875-BW

General Description

1. Cap
2. Screw
3. Thermostatic Handle
4. Limit Stop Ring
5. Thermostatic Cartridge
6. Ring
7. Temperature Indication Ring
8. Screw
9. Thermostatic Panel
10. Body
11. Cap
12. Selector Handle
13. Handle Escutcheon
14. Screw Seat Holder
15. Rubber Packing
16. Packing Cover
17. Packing
18. Spindle
19. Rubber Packing
20. Valve Body
21. Stop Valve With Strainer
22. Check Valve Housing
23. Spindle
24. Packing
25. Socket
26. Elbow
27. Packing
28. Spout
29. O-Ring
30. Aerator
31. Rubber Packing
32. Net Filter A
33. Net Filter B
34. Aerator Body



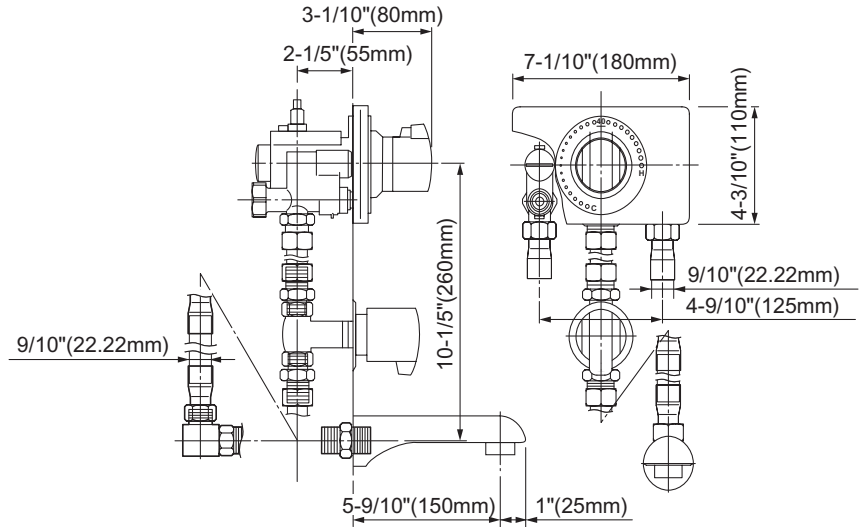
OPERATION

Concealed Thermostatic Tub Faucet

K9875-BW

Installation Dimension

Please follow the installation dimensions carefully. Improper installation may result in the prevention of water flowing directly into the tub.



HOW TO ADJUST THE TEMPERATURE

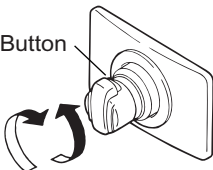
Water temperature is adjustable by rotating the temperature handle.

TEMPERATURE CONTROL

By adjusting the temperature control volume, you can get a comfortable water temperature.

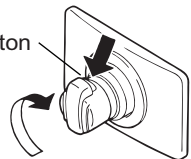
The temperature indication mark should be used as a criterion temperature.

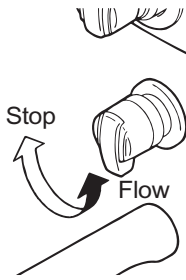
Safety Lock Button



If you want to get a water temperature over 40°C , please rotate the handle while pushing the safety lock button.

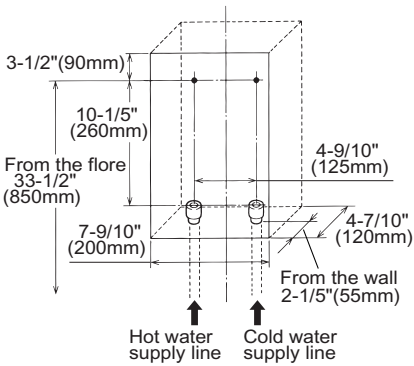
Safety Lock Button



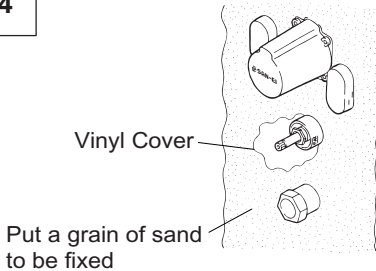


INSTALL FAUCET

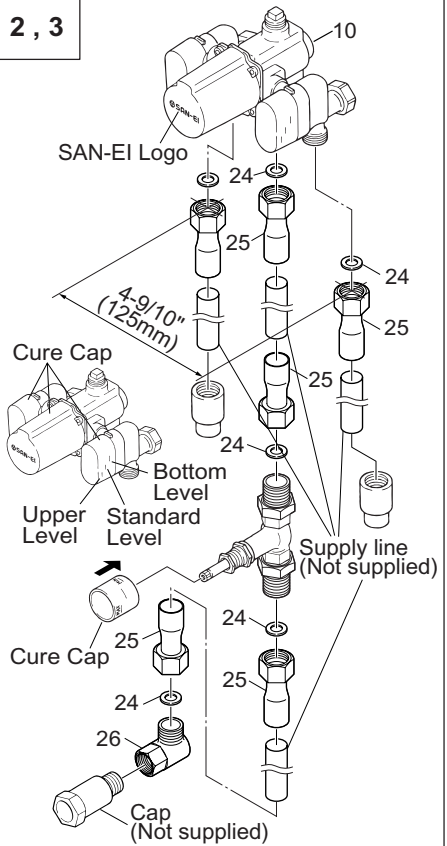
1



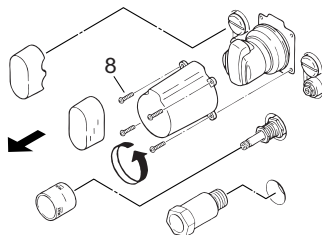
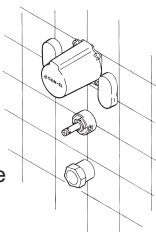
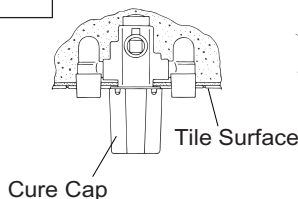
4



2, 3



5, 6



1. Working for supply line

2. Installation

(1) Install copper socket into faucet body(10).

(Water supply lines should be connected to copper socket in advance.)

NOTE : The SAN-EI logo on the faucet body(10) should face you.

(2) The cure cap should be covered until the installation for tiles are done.

NOTE : The cure cap marks the installation level.

CAUTION!

Please pay attention to the following points when installing the faucet.

* Install the supply tube to the cold and the hot supply side properly.

3. Check

Open supply valves to make sure there is no water leakage.

(Check the leakage in each connection area.)

After checking the supply valves for leakage, make sure that shut-off has been accomplished.

4. Bury faucet body

Do this after the thread and spindle portions are covered by masking tape.

If you don't use a mortar or other related materials to attach the faucet body(10), please use support metal fittings to attach it.

5. Install Ceramic Tiles

Please pay attention to the installation level marked on the cure caps.

Installation level should be adjusted within the level marked on the cure caps.

NOTE : Please be careful not to put mortar into cure caps.

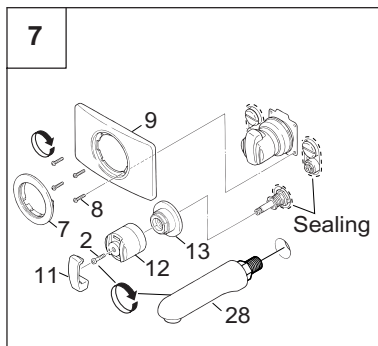
6. Remove all cure caps

7. Assembling faucet handle and spout

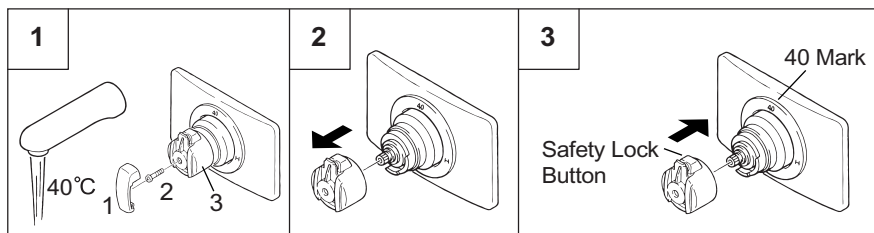
To prevent water from filling up in the hollow place on the ceramic tiles, please apply a coat of sealing putty in the hollow area in advance. Then, install the handle and spout. (The connection portion should be given a coat of sealing materials.)

8. Work testing

Please go to the "Flushing instruction" section before using the faucet.



TEMPERATURE CALIBRATION



1. Remove the handle cap and screw. Please adjust the handle to 40°C.
2. After making sure that the temperature is 40°C, remove the handle.
3. The safety lock button should be put to the 40°C mark on the temperature indication plate.

NOTE 1 :

Temperature indication on the temperature indication plate should be used as a criterion point. (Even though temperature is adjusted by using the temperature indication plate, the temperature mark does not guarantee the actual water temperature.)

NOTE 2 :

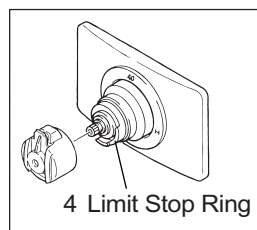
When attaching the temperature handle to the faucet body, don't rotate the spindle.

CAUTION!

49 degreesC (120 degreesF) is an industry standard for maximum discharge water temperature from tub and shower valve. This maximum temperature may vary in your local area.

To set this maximum discharge temperature, adjust the position of the limit stop ring.

Moving the limit stop ring counterclockwise will reduce the maximum discharge temperature.



FLUSHING INSTRUCTIONS

IMPORTANT! : Pipe chips, sand, stones and other solid found in new and renovated plumbing can damage the ceiling of the cartridge and cause leaks. To avoid damage,
DO NOT TURN ON SUPPLY VALVES until instructed below.

1. After installing and connecting your new faucet, turn on in the full cold position (handle pointing to the right) and turn on the cold supply for 15 seconds.
2. Without closing the handle, turn to the full hot position (handle pointing to the left) and turn on the hot supply for 15 seconds.
3. Close the handle, then using a towel, unscrew the aerator from the end of the spout and clean the aerator.
4. Using a towel replace the aerator and check the system for leaks.

TROUBLESHOOTING

TO CORRECT REVERSED HOT AND COLD POSITIONS :

1. Shut off both stop valves. Then, open faucet handles to relieve water pressure until complete water shut-off has been accomplished.
2. Loosen nut and remove supply lines. Re-connect each supply line into different supply stop valves.(Excessive bending will cause leaking and damage to the lines.) Then, tighten each of the supply lines.
3. Re-install and connect, turn on both cold and hot water supply.
4. Turn on in the full position, make sure that the positioning is correct and make sure there is no water leakage.

MAINTENANCE

Care and Cleaning of Chrome and Special Finishes

Do not use abrasive or chemical cleaners (including chlorine bleach) to clean faucets as they may dull the luster and attack the chrome or special decorative finishes. Use ONLY soap and water, then wipe dry with clean cloth or towel.

While cleaning the bathroom tile, the faucet should be protected from any splattering of cleaner. Acids and cleaning fluids will discolor or remove chrome plating.