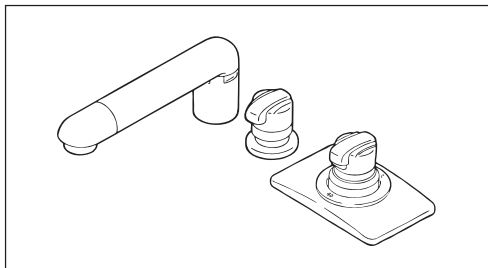


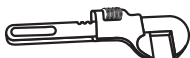
INSTALLATION INSTRUCTIONS

**K987D-L-BW**
THERMOSTATIC HANDLE
Thermostatic Roman Tub
Faucet**Tools**

For safety and easy faucet replacement, San-Ei recommends the use of the following helpful tools:



SAFETY GLASSES



PIPE WRENCH



PLIERS



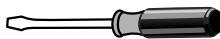
CHANNEL LOCKS



ADJUSTABLE WRENCH



BASIN WRENCH



PHILLIPS SCREWDRIVER



FLASHLIGHT

About This Manual**Keep Instructions for Future Reference**

Thank you for purchasing San-Ei's quality faucet.

With simple care and maintenance, it will provide you with many years of reliable performance.

Please read instructions before installation.

TIPS FOR REMOVAL OF OLD FAUCET

CAUTION: Always turn water OFF before removing existing faucet or disassembling the faucet.

Open the faucet handles to relieve water pressure and ensure that complete water shut-off has been accomplished.

(Complies with ASME A112.18.1 and ASSE 1016)

PARTS LIST

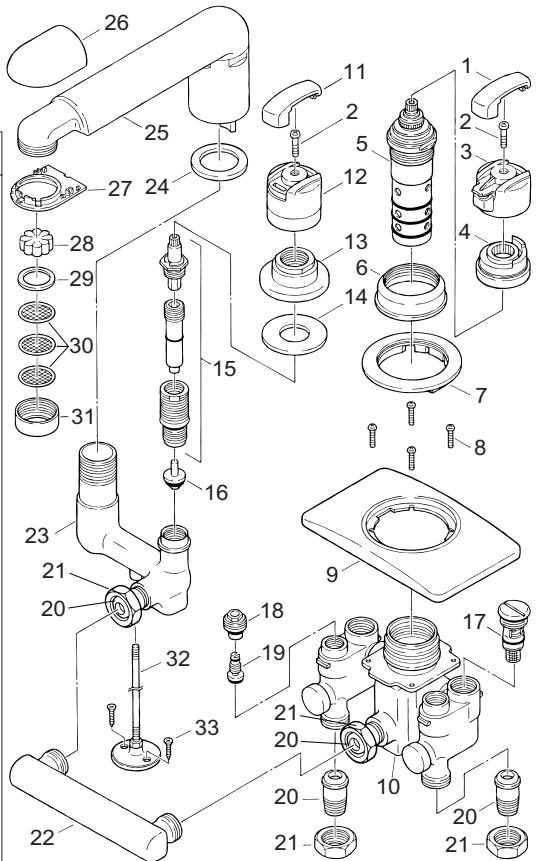
The structure shown is an illustration.

Please use this structure for better understanding.

K987D-L-BW

General Description

1. Cap
2. Screw
3. Thermostatic Handle
4. Limit Stop Ring
5. Thermostatic Cartridge
6. Ring
7. Temperature Indication Ring
8. Screw
9. Thermostatic Panel
10. Body
11. Cap
12. Selector Handle
13. Handle Escutcheon
14. Seat Packing
15. Click Cartridge Top Portion
16. Rubber Packing
17. Stop Valve With Strainer
18. Check Valve Housing
19. Spindle
20. Socket
21. Union Nut
22. Connection pipe
23. Valve Body
24. Seat Packing
25. Spout
26. Protection Top Cover
27. Protection Under Cover
28. Aerator
29. Rubber Packing
30. Net Filter
31. Aerator Body
32. Support Rod
33. Screw



OPERATION

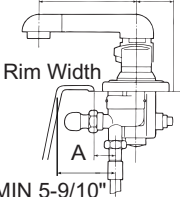
Thermostatic Roman Tub Faucet K987D-L-BW

Installation Dimension

Please follow the installation dimensions carefully.
Improper installation may result in the prevention
of water flowing directly into the tub.

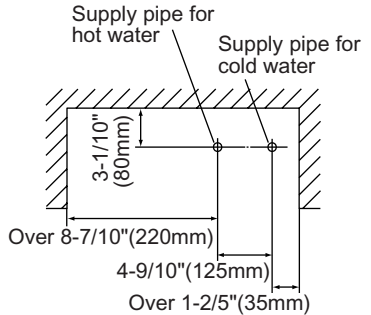
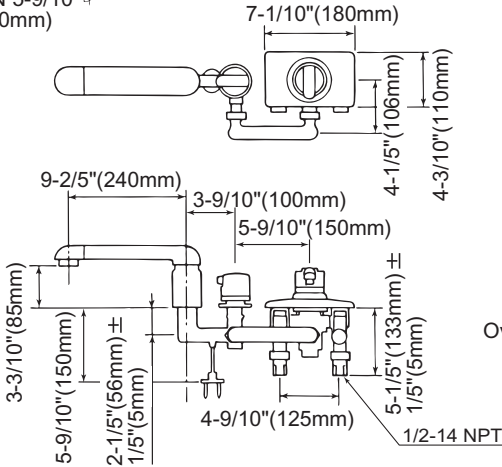
Spout 9-2/5" (240mm)

Spout 9-2/5" (240mm) MIN 3-1/10" (80mm)



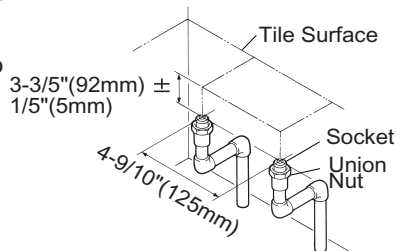
Rim Width	A
Below 3-3/10" (85mm)	Between 2-3/5" (65mm) to 4-7/10" (120mm)
3-1/2" (90mm)	Between 2-3/5" (65mm) to 4-1/2" (115mm)
3-9/10" (100mm)	Between 2-3/5" (65mm) to 4-1/10" (105mm)
4-7/10" (120mm)	Between 2-3/5" (65mm) to 3-3/10" (85mm)
5-1/2" (140mm)	Between 2-3/5" (65mm)
Over 5-1/2" (140mm)	Can not be used.

MIN 5-9/10" (150mm)



Please connect socket with union nut onto supply pipe.

Then, the length between the top surface level and the supply the level should keep 3-3/5" (92mm) ± 1/5" (5mm). (Both supply line levels should be the same level as each other.)



HOW TO ADJUST THE TEMPERATURE

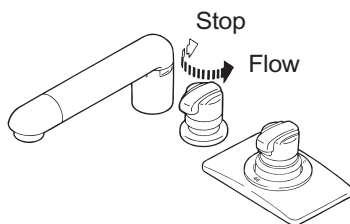
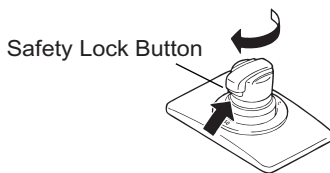
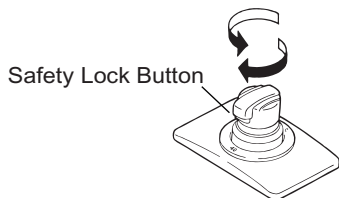
Water temperature is adjustable by rotating the temperature handle.

TEMPERATURE CONTROL

By adjusting the temperature control volume, you can get a comfortable water temperature.

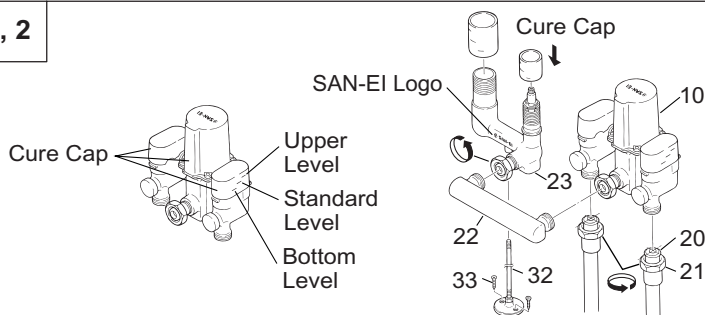
The temperature indication mark should be used as a criterion temperature.

If you want to get a water temperature over 40°C, please rotate the handle while pushing the safety lock button.

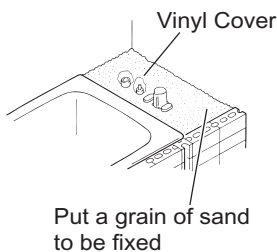


INSTALL FAUCET

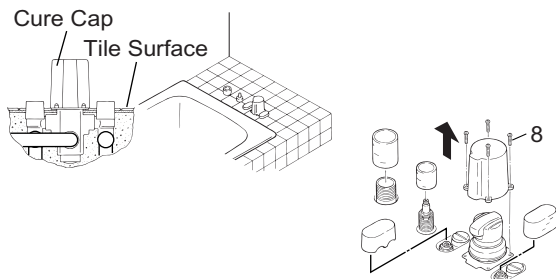
1, 2



3



4, 5



1. Installation

(1) Connect water supply line with faucet body(10). (Tighten the union nut.)
The SAN-EI logo on the faucet body(10) should face the inside of the bath tub.
(If you install the opposite direction, faucet spout(25) can not be installed.)

(2) The cure cap should be covered until the tiles are laid. The cure cap indicates the level where the surface should be finished.

NOTE : Please pay attention to the level indication whether finished surface is within the mentioned level or not.

2. Inspection

After installing and connecting the faucet body(10), turn on supply valve to check the water leakage.

3. Assemble parts

All thread portions and spindle portions should be covered or wrapped with a material such as vinyl in advance.

4. Tile finishing

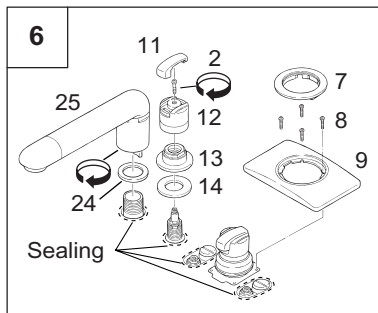
Please pay attention that the finished surface of tiling should be within the mentioned level or not.

NOTE : Please pay attention the installation, not to put sand or mortar into the faucet body(10) or cure caps.

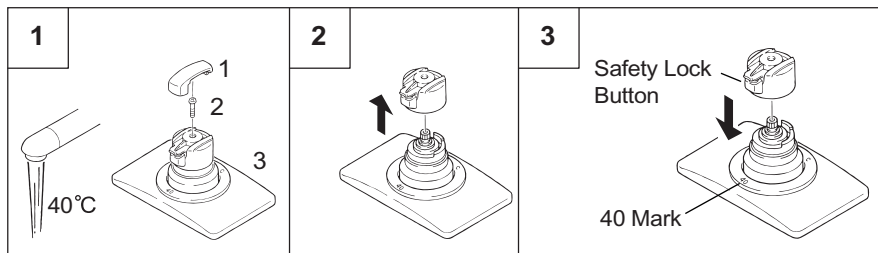
5. Remove "cure caps" from the faucet body

6. Assemble handles and faucet spout

To protect water going to the cracked space of tiles, put the sealing material to the cracked space. Then, assemble handles(12) and spout(25), referring to the following indication. (Excess sealing should be removed perfectly.)



TEMPERATURE CALIBRATION



1. Remove the handle cap and screw. Please adjust the handle to 40°C.
2. After making sure that the temperature is 40°C, remove the handle.
3. The safety lock button should be put to the 40°C mark on the temperature indication plate.

NOTE 1 :

Temperature indication on the temperature indication plate should be used as a criterion point. (Even though temperature is adjusted by using the temperature indication plate, the temperature mark does not guarantee the actual water temperature.)

NOTE 2 :

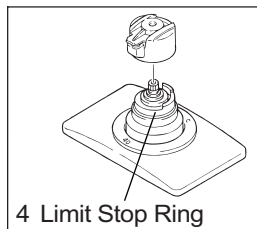
When attaching the temperature handle to the faucet body, don't rotate the spindle.

CAUTION!

49 degreesC (120 degreesF) is an industry standard for maximum discharge water temperature from tub and shower valve. This maximum temperature may vary in your local area.

To set this maximum discharge temperature, adjust the position of the limit stop ring.

Moving the limit stop ring counterclockwise will reduce the maximum discharge temperature.



FLUSHING INSTRUCTIONS

IMPORTANT! : Pipe chips, sand, stones and other solid found in new and renovated plumbing can damage the ceiling of the cartridge and cause leaks. To avoid damage,

DO NOT TURN ON SUPPLY VALVES until instructed below.

1. After installing and connecting your new faucet, turn on in the full cold position (handle pointing to the right) and turn on the cold supply for 15 seconds.
2. Without closing the handle, turn to the full hot position (handle pointing to the left) and turn on the hot supply for 15 seconds.
3. Close the handle, then using a towel, unscrew the aerator from the end of the spout and clean the aerator.
4. Using a towel replace the aerator and check the system for leaks.

TROUBLESHOOTING

TO CORRECT REVERSED HOT AND COLD POSITIONS :

1. Shut off both stop valves. Then, open faucet handles to relieve water pressure until complete water shut-off has been accomplished.
2. Loosen nut and remove supply lines. Re-connect each supply line into different supply stop valves.(Excessive bending will cause leaking and damage to the lines.) Then, tighten each of the supply lines.
3. Re-install and connect, turn on both cold and hot water supply.
4. Turn on in the full position, make sure that the positioning is correct and make sure there is no water leakage.

MAINTENANCE

Care and Cleaning of Chrome and Special Finishes

Do not use abrasive or chemical cleaners (including chlorine bleach) to clean faucets as they may dull the luster and attack the chrome or special decorative finishes.

Use **ONLY** soap and water, then wipe dry with clean cloth or towel.

While cleaning the bathroom tile, the faucet should be protected from any splattering of cleaner. Acids and cleaning fluids will discolor or remove chrome plating.